



# SERVICE MANUAL

SERVICE MANUAL

MODELS : T531B/T531C/T531AH

# SERVICE MANUAL

**T531B  
T531C  
T531AH**

**DVD VIDEO PLAYER**

**DVD VIDEO PLAYER**

**T531B/T531C  
T531AH**



**T531B/T531C  
T531AH**

**DVD VIDEO PLAYER**

© NAD 2001

**NAD ELECTRONICS INTERNATIONAL  
TORONTO**

## **CONTENTS**

**SECTION 1 . . . .SUMMARY**

**SECTION 2 . . . .CABINET & MAIN CHASSIS**

**SECTION 3 . . . .ELECTRICAL**

**SECTION 4 . . . .MECHANISM**

**SECTION 5 . . . .REPLACEMENT PARTS LIST**

# SECTION 1

## SUMMARY

### CONTENTS

<b>PRODUCT SAFETY SERVICING GUIDELINES FOR VIDEO PRODUCTS .....</b>	<b>1-3</b>
<b>SERVICING PRECAUTIONS .....</b>	<b>1-4</b>
• General Servicing Precautions	
• Insulation Checking Prodedure	
• Electrostatically Sensitive Devices	
<b>SPECIFICATIONS .....</b>	<b>1-5</b>

# IMPORTANT SAFETY PRECAUTIONS

Prior to shipment from the factory, the products are strictly inspected to conform with the recognized product safety and electrical codes of the countries in which they are to be sold. However, in order to maintain such compliance, it is equally important to implement the following precautions when a set is being serviced.

## • Precautions during Servicing

1. Locations requiring special caution are denoted by labels and inscriptions on the cabinet, chassis and certain parts of the product. When performing service, be sure to read and comply with these and other cautionary notices appearing in the operation and service manuals.

2. Parts identified by the  $\triangle$  symbol and shaded (  $\nabla$  ) parts are critical for safety. Replace only with specified part numbers.

Note : Parts in this category also include those specified to comply with X-ray emission standards for products using cathode ray tubes and those specified for compliance with various regulations regarding spurious radiation emission.

3. Use Specified internal wiring. Note especially:

- 1) Double insulated wires
- 2) High voltage leads

4. Use specified insulating materials for hazardous live parts. Note especially:

- 1) Insulation Tape
- 2) PVC tubing
- 3) Spacers
- 4) Insulation sheets for transistor

5. Observe that wires do not contact heat producing parts (heatsinks, oxide metal film resistors, fusible resistors, etc.)

6. Check that replaced wires do not contact sharp edged or pointed parts.

7. 1) When a power cord has been replaced, check that A mark is made on the cord, under strain, near the aperture, and the flexible cord is subjected 100 times to a pull of 40N for a duration of 1 second each.

- 2) During the test, the cord shall not be displaced by more than 2mm

8. Also check areas surrounding repaired locations.

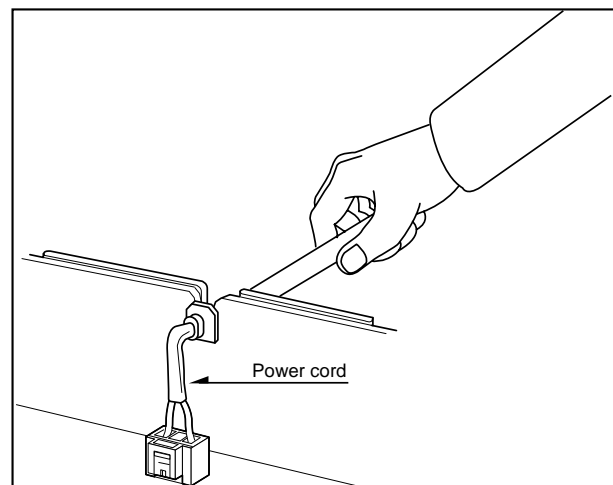


Fig. 1

# SAFETY CHECK AFTER SERVICING

Examine the area surrounding the repaired location for damage or deterioration. Observe that screws, parts and wires have been returned to original positions. Afterwards, perform the following tests and confirm the specified values in order to verify compliance with safety standards.

- **Insulation resistance test**

confirm the specified insulation resistance or greater between power cord plug prongs and externally exposed parts of the set (RF terminals, antenna terminals, video and audio input and output terminals, microphone jacks, earphone jacks, etc.) See table below.

- **Dielectric strength test**

Confirm specified dielectric strength or greater between power cord prongs and exposed accessible parts of the set (RF terminals, antenna terminals, video and audio input and output terminals, microphone jacks, earphone jacks, etc.) See table below.

- **Clearance distance**

When replacing primary circuit components, confirm specified clearance distance (d), (d') between soldered terminals, and between terminals and surrounding metallic parts. See table below.

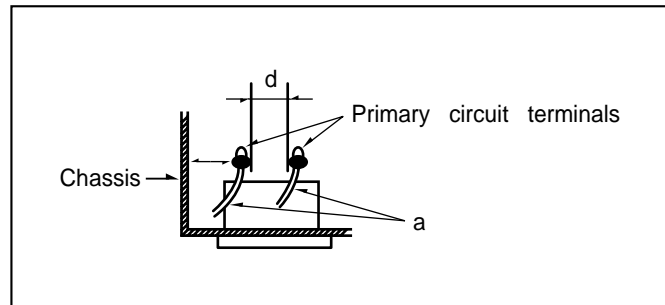


Fig. 2

Table 1 : Ratings for selected areas

AC Line Voltage	Region	Insulation Resistance	Dielectric Strength	Clearance Distance(d),(d')
*100 to 130 V 200 to 240 V	Australia Europe	F 10 MΩ/500 V DC	4kV 1 minute	F 6mm(d) F 8mm(d) (a Power cord)

\* Class II model only.

Note. This table is unofficial and for reference only. Be sure to confirm the precise values for your particular country and locality.

- **Leakage Current test**

Confirm specified or lower leakage current between B(earth ground, power cord plug prongs) and externally exposed accessible parts (RF terminals, antenna terminals, video and audio input and output terminals, microphone jacks, earphone jacks, etc.)

Measuring Method: (Power ON)

Insert load Z between B(earth ground, power cord plug prongs) and exposed accessible parts. Use an AC voltmeter to measure across both terminals of load Z. See figure and following table.

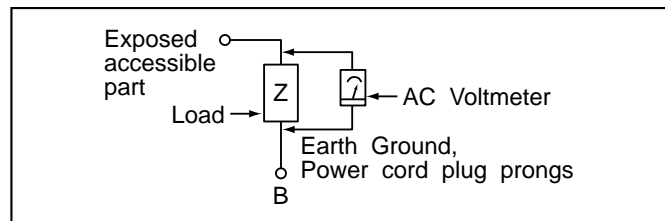


Fig. 3

Table 2:Leakage current ratings for selected areas.

AC Line Voltage	Region	Load Z	Leakage Current(i)	Earth Ground (B) to :
100 to 130 V	Australia	2kΩ	i E 0.7m A peak i E 2m A DC	Antenna earth terminals
200 to 240 V	Europe	50kΩ	i E 0.7m A peak i E 2m A DC	Other terminals

Note. This table is for IEC member only. Be sure to confirm the precise values for your particular country and locality.

# SPECIFICATIONS

## DVD VIDEO PLAYER

Power supply	AC 110~240V, 50/60Hz(T531B, T531C) AC 120V, 60Hz(T531AH)
Power consumption	16W
Mass	3.0kg(6.6lbs)
External dimensions	435 x 88 x 247 mm (W x H x D)
Signal system	PAL 625/50, NTSC 525/60
Laser	Semiconductor laser, wavelength 650nm
Frequency range (digital audio)	4Hz to 20kHz
Signal-to-noise ratio (digital audio)	More than 100dB (EIAJ)
Audio dynamic range (digital audio)	More than 95dB (EIAJ)
Harmonic distortion(digital audio)	0.008%
Wow and flutter	Below measurable level (less than +0.001%(W.PEAK)) (EIAJ)
Operations	Temperature : 5°C(41°F) to 35°C(95°F), Operation status : Horizontal

## OUTPUTS

Video outputs	1.0V(p-p), 75Ω, negative sync., RCA jack x 1/ SCART(TO TV) (T531C ONLY)
S video outputs	(Y)1.0V(p-p), 75Ω, negative sync.,Mini DIN 4-pin x 1 (C)0.286V(p-p), 75Ω
Audio output(digital audio)	0.5V(p-p), 75Ω, RCA jack X 1
Audio output(optical audio)	Optical connector x 1
Audio output(analog audio)	2.0Vrms (1kHz, 0dB), 330Ω, RCA jack (L, R) x 1/ SCART(TO TV) (T531C ONLY)

\*Designs and specifications are subject to change without notice.

\*Weight and dimensions shown are approximate.

**SECTION 2**  
**CABINET & MAIN CHASSIS**

**CONTENTS**

- 1. DISASSEMBLY.....2-2**
  - CABINET DISASSEMBLY .....2-2**
  - CIRCUIT BOARD DISASSEMBLY .....2-3**
- 2. EXPLODED VIEWS .....2-4**
  - 1. Cabinet and Main Frame Section .....2-4**
  - 2. Packing Accessory Section .....2-5**

# DISASSEMBLY

## CAUTION BEFORE STARTING SERVICING

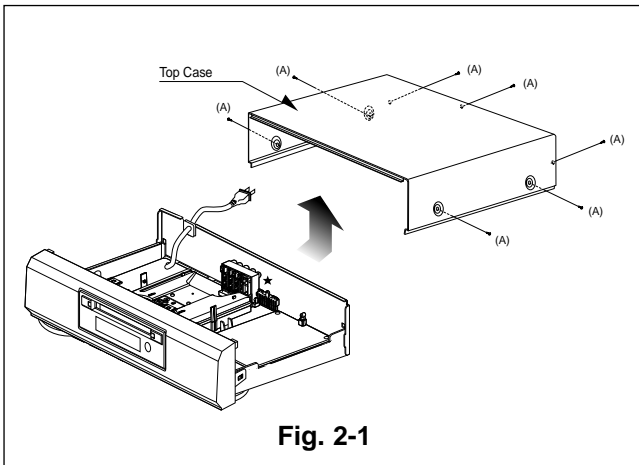
Electronic parts are susceptible to static electricity and may easily be damaged, so do not forget to take a proper grounding treatment as required.

Many screws are used inside the unit. To prevent missing, dropping, etc. of the screws, always use a magnetized screw driver in servicing. Several kinds of screws are used and some of them need special cautions. That is, take care of the tapping screws securing molded parts and fine pitch screws used to secure metal parts. If they are used improperly, the screw holes will be easily damaged and the parts can not be fixed.

## CABINET DISASSEMBLY

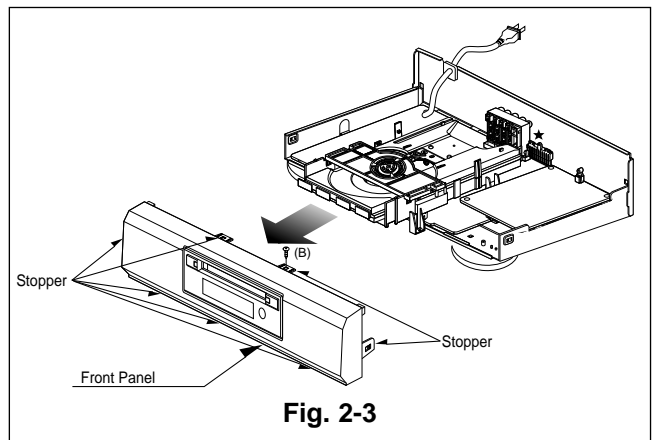
### 1. Top Case

1. Release 7 screws (A). (See Fig. 2-1)
2. Lift the top case with holding the back of it, and remove it in the direction of the arrow



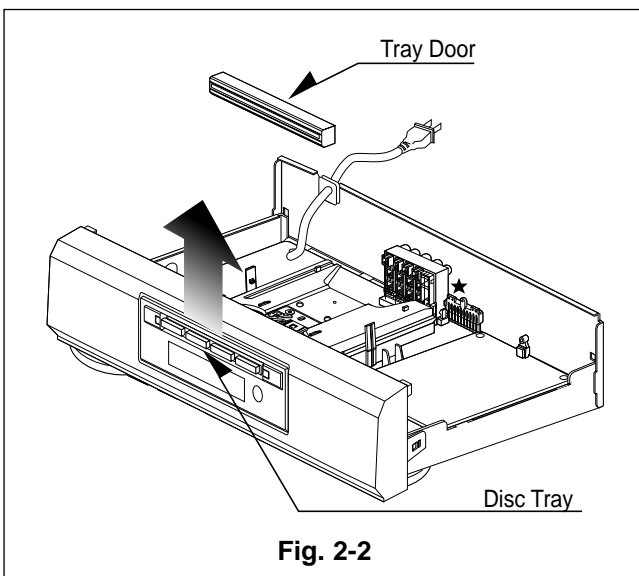
### 3. Front Panel

1. Eject the disc tray. (See Fig. 2-2)
2. Remove the tray door. (See Fig. 2-2)
3. Release 2 screws (B).
4. Pull the front panel toward you while pressing 7 stoppers to disengage, and remove the front panel. (See Fig. 2-3)



### 2. Tray Door

1. Eject the disc tray.
2. Lift up the tray door in the direction of the arrow.



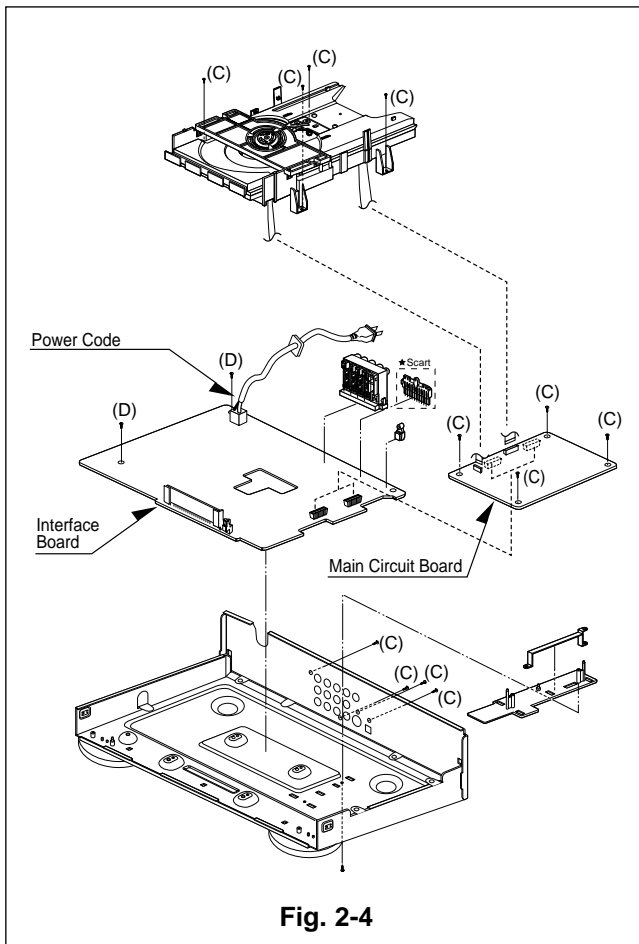


## CIRCUIT BOARD DISASSEMBLY

**Note:** Before removing the main circuit board, be sure to shortcircuit the laserdiode output land.  
After replacing the main circuit board, open the land after inserting the flexible connector.  
(Refer to Mechanism Disassembly)

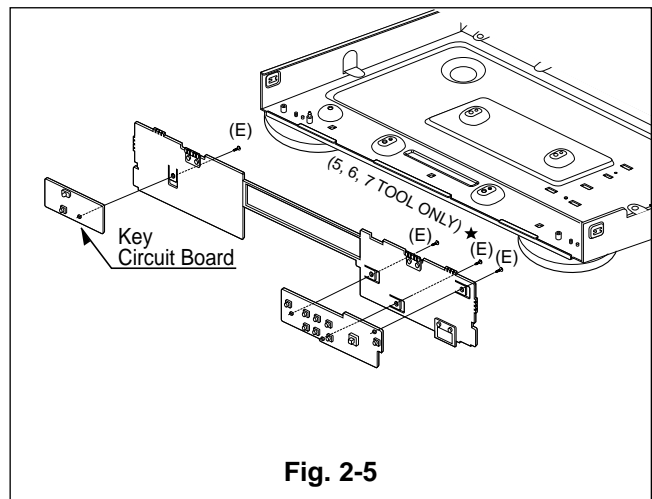
### 1. Disassembling of Main Circuit Board and Interface Board

1. Remove the top case.(See Fig. 2-1)
2. Remove 12 screw (C).
3. Remove the deck from Main Circuit Board.
4. Remove Main Circuit Board from Interface Board.
5. Remove 2 screw (D).
6. Remove Interface Board from the chassis.



### 2. Digitron and Key Circuit Board

1. Remove the front panel.(See Fig. 2-3)
2. Release 4 screws (E), and remove the digitron circuit board.

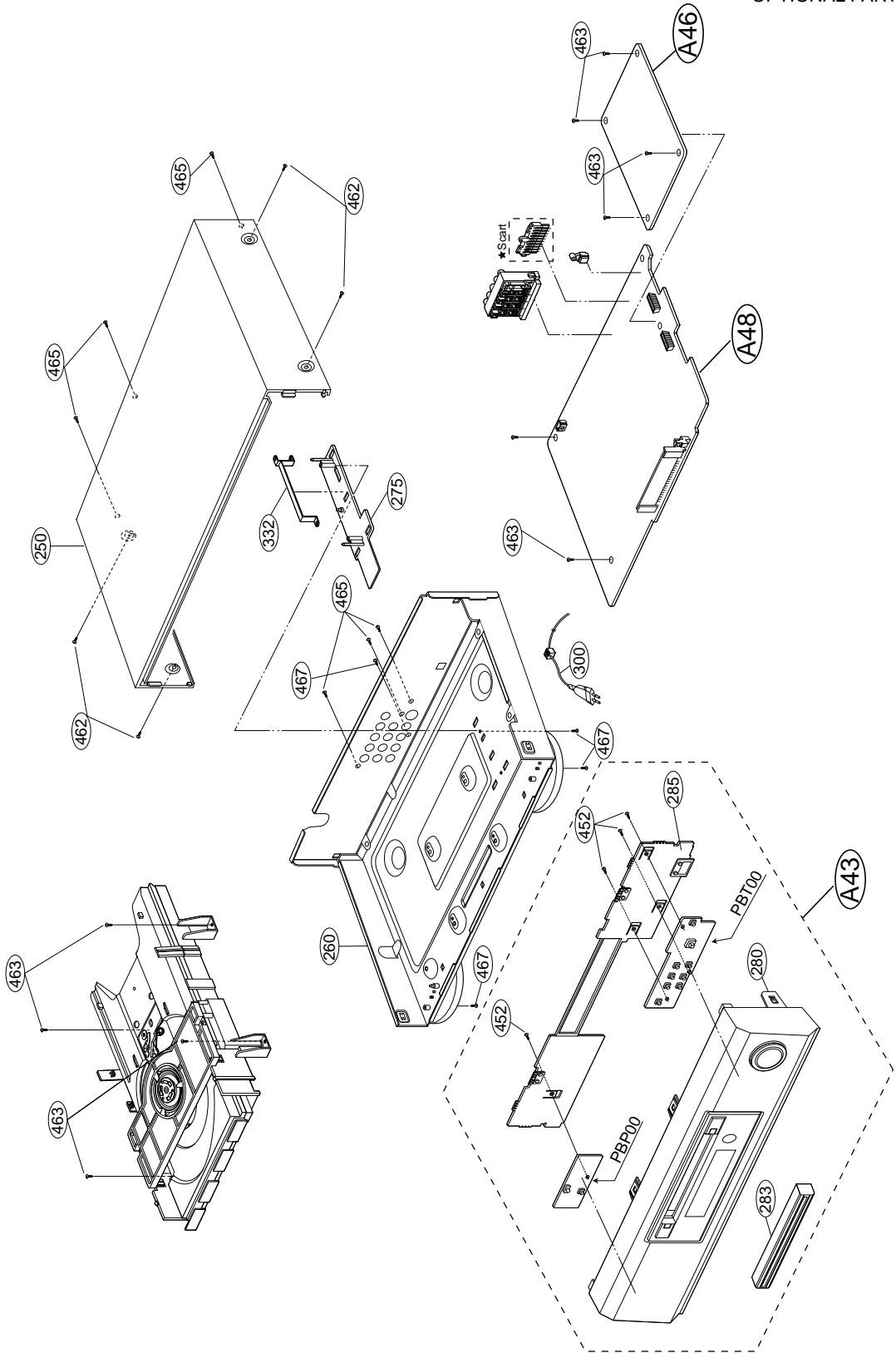


# EXPLODED VIEWS

## 1. Cabinet and Main Frame Section

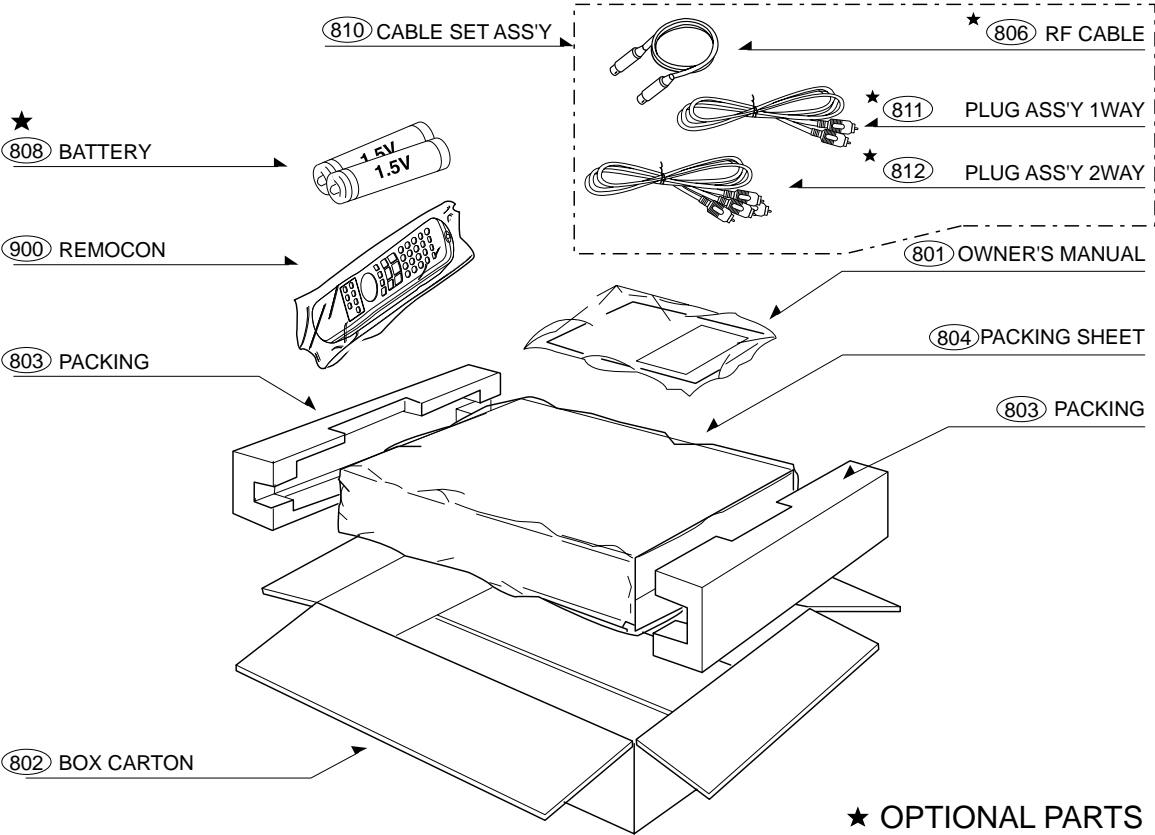
★ OPTIONAL PART

5  
4  
3  
2  
1



A B C D

## 2.Packing Accessory Section



# SECTION 3

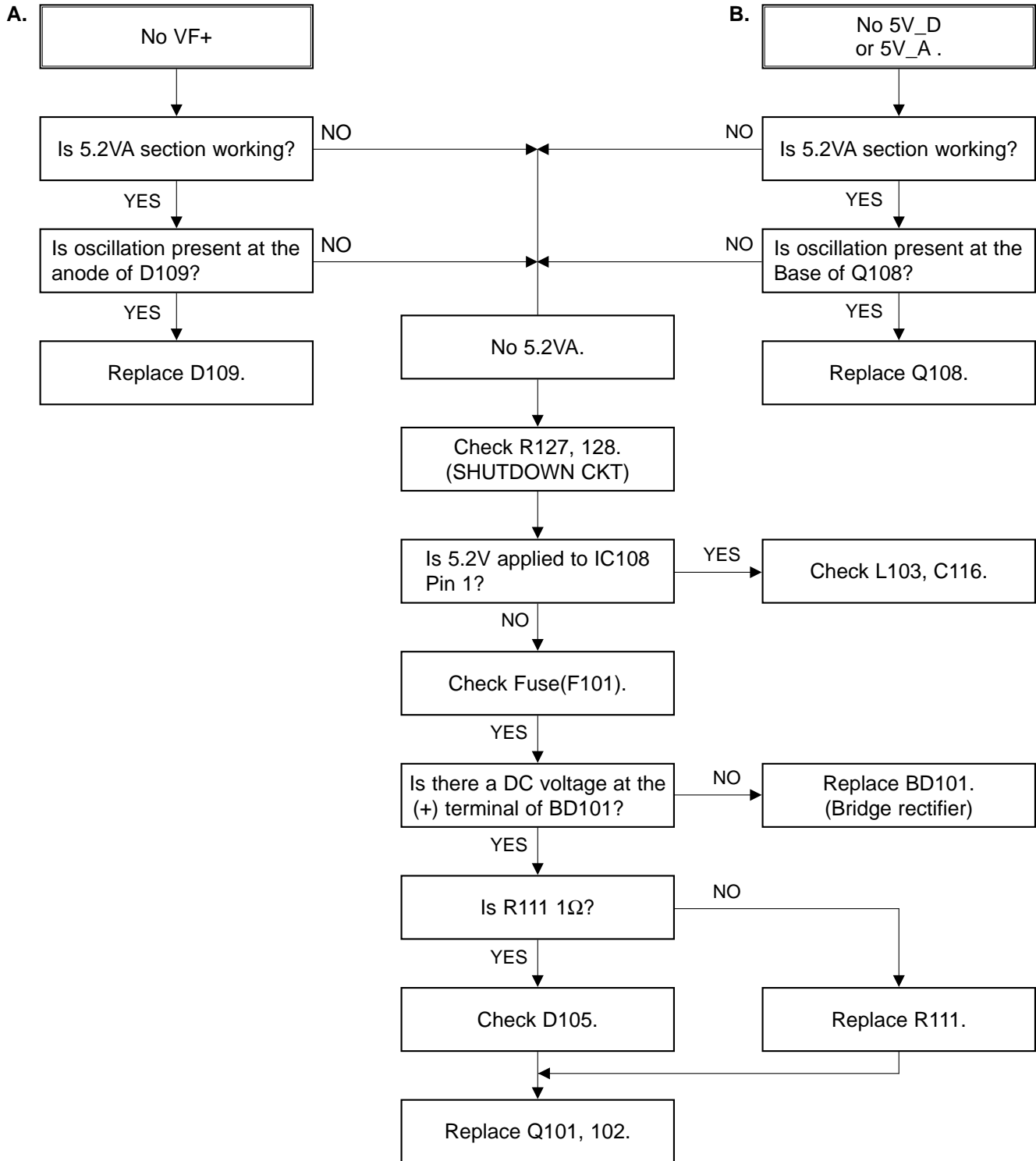
## ELECTRICAL

### CONTENTS

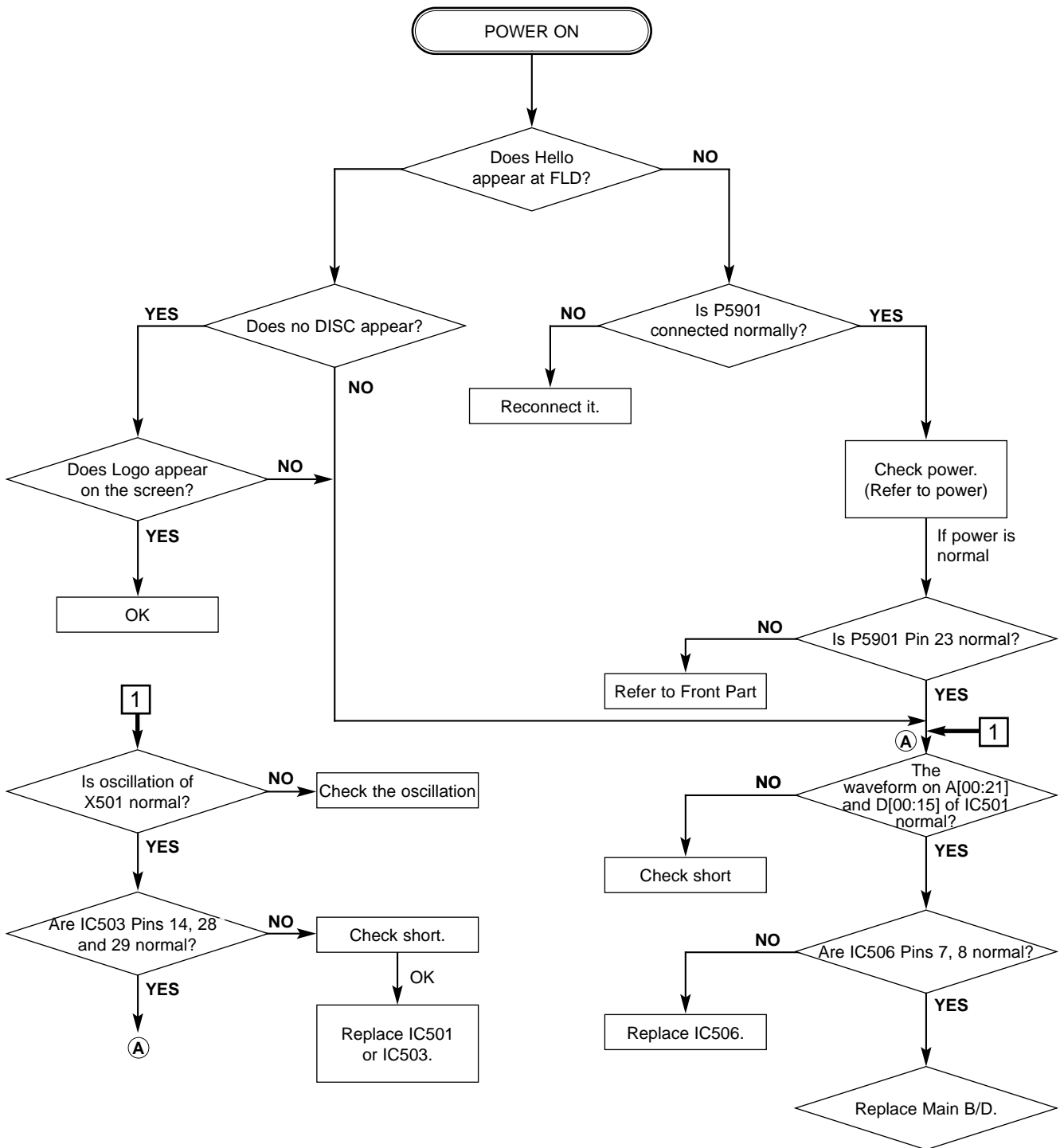
<b>ELECTRICAL TROUBLESHOOTING GUIDE.....</b>	<b>3-2</b>
1. Power(SMPS) Circuit.....	3-2
2. $\mu$ -com Circuit.....	3-3
3. MPEG Circuit.....	3-6
4. Front Circuit(Digitron & Key) .....	3-7
5. RF/Servo Circuit .....	3-8
<b>BLOCK DIAGRAMS .....</b>	<b>3-12</b>
1. Overall Block Diagram .....	3-12
2. Power (SMPS) Block Diagram .....	3-14
3. RF/CD DSP/DVD DSP/DVD servo Block Diagram .....	3-18
4. Audio Block Diagram .....	3-19
5. MPEG Block Diagram.....	3-17
6. $\mu$ -COM Block Diagram.....	3-18
<b>CIRCUIT DIAGRAMS .....</b>	<b>3-19</b>
1. Power (SMPS) Circuit Diagram .....	3-19
2. DVD DSP Circuit Diagram .....	3-23
3. Drive & RF Circuit Diagram .....	3-25
4. MPEG Circuit Diagram .....	3-27
5. Audio DM Circuit Diagram .....	3-29
6. $\mu$ -COM/Expander.....	3-31
7. DIGITRON & Key Circuit Diagram .....	3-33
8. Scart Circuit Diagram .....	3-35
9. Jack Circuit Diagram .....	3-37
• CIRCUIT VOLTAGE CHART .....	3-39
• WAVEFORMS .....	3-45
<b>PRINTED CIRCUIT DIAGRAMS .....</b>	<b>3-47</b>
1. MAIN P.C.BOARD .....	3-47
2. POWER, A/V, FRONT P.C.BOARD .....	3-49
3. KEY P.C.BOARD.....	3-51
4. POWER LED P.C.BOARD .....	3-51

# ELECTRICAL TROUBLESHOOTING GUIDE

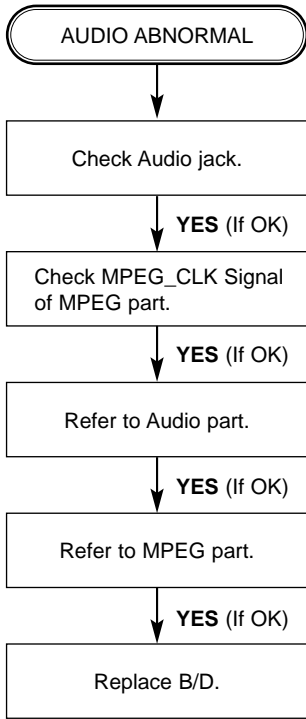
## 1. Power(SMPS) Circuit



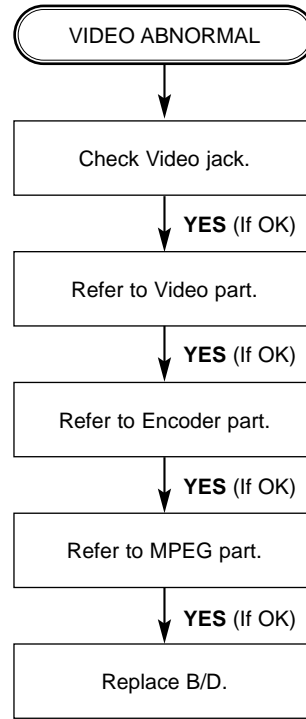
**2.  $\mu$ -COM Circuit**  
**A. No Power**



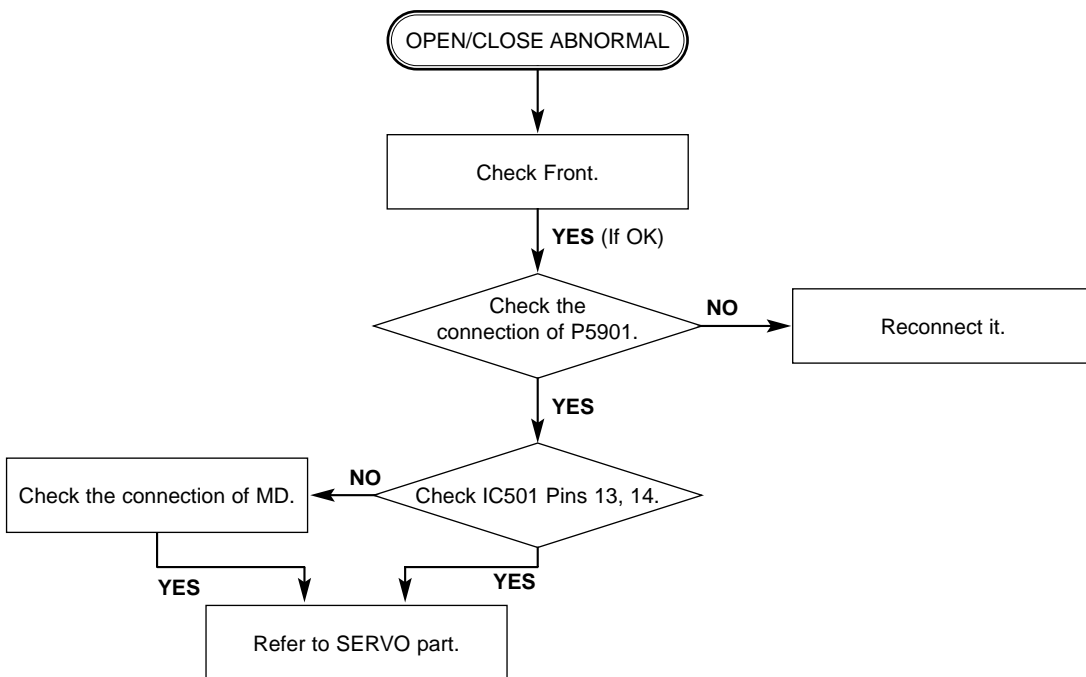
**B. Audio abnormal**



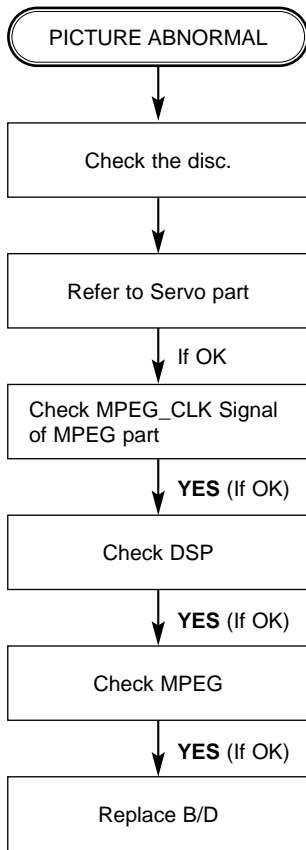
**C. Video abnormal**



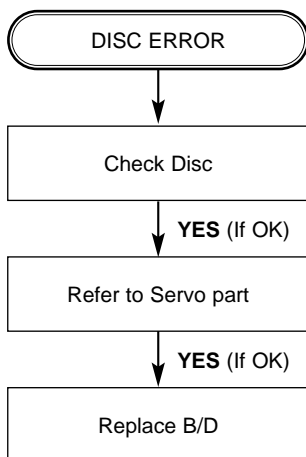
**D. Open/Close abnormal**



### E. Picture abnormal

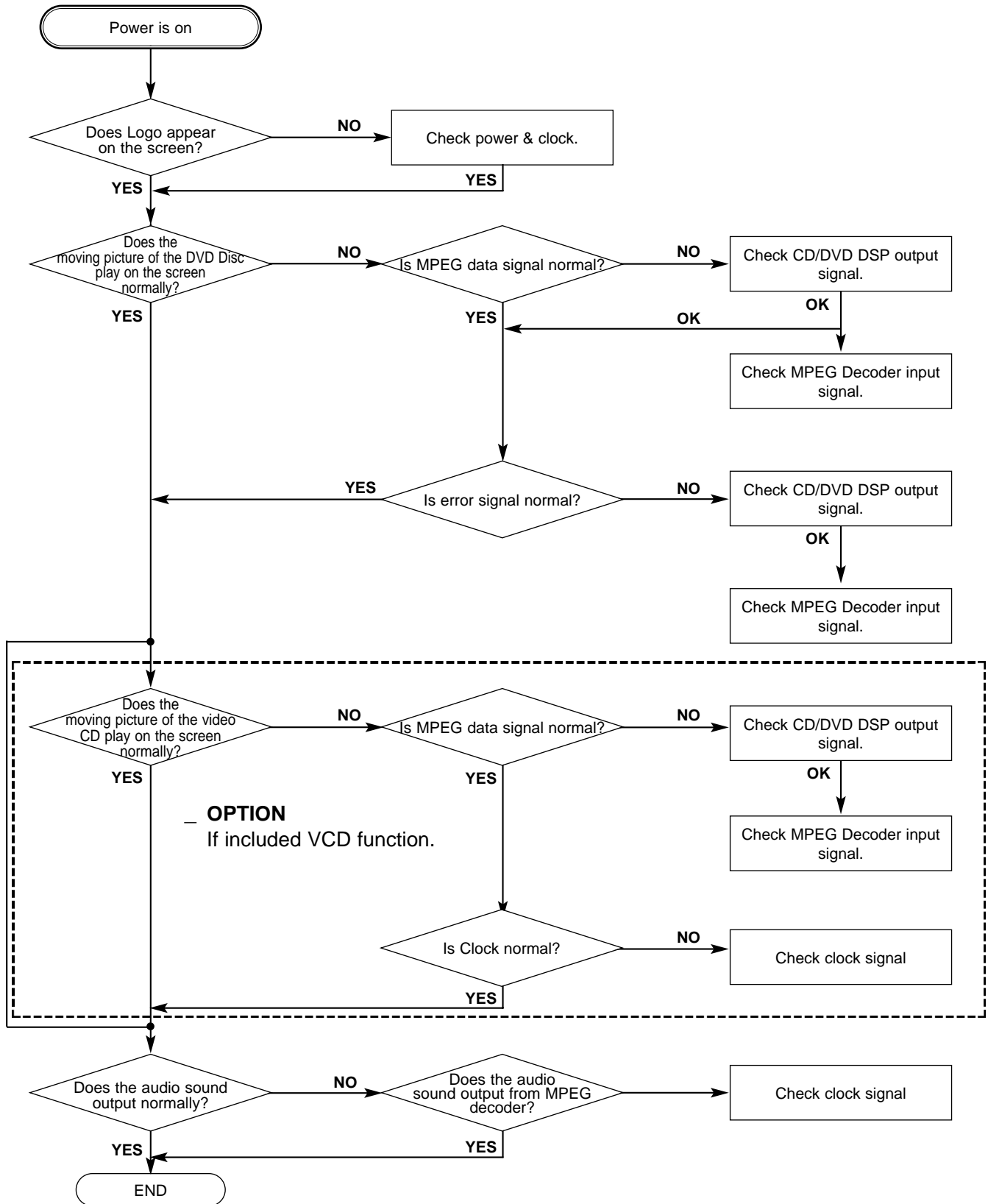


### F. Disc Error

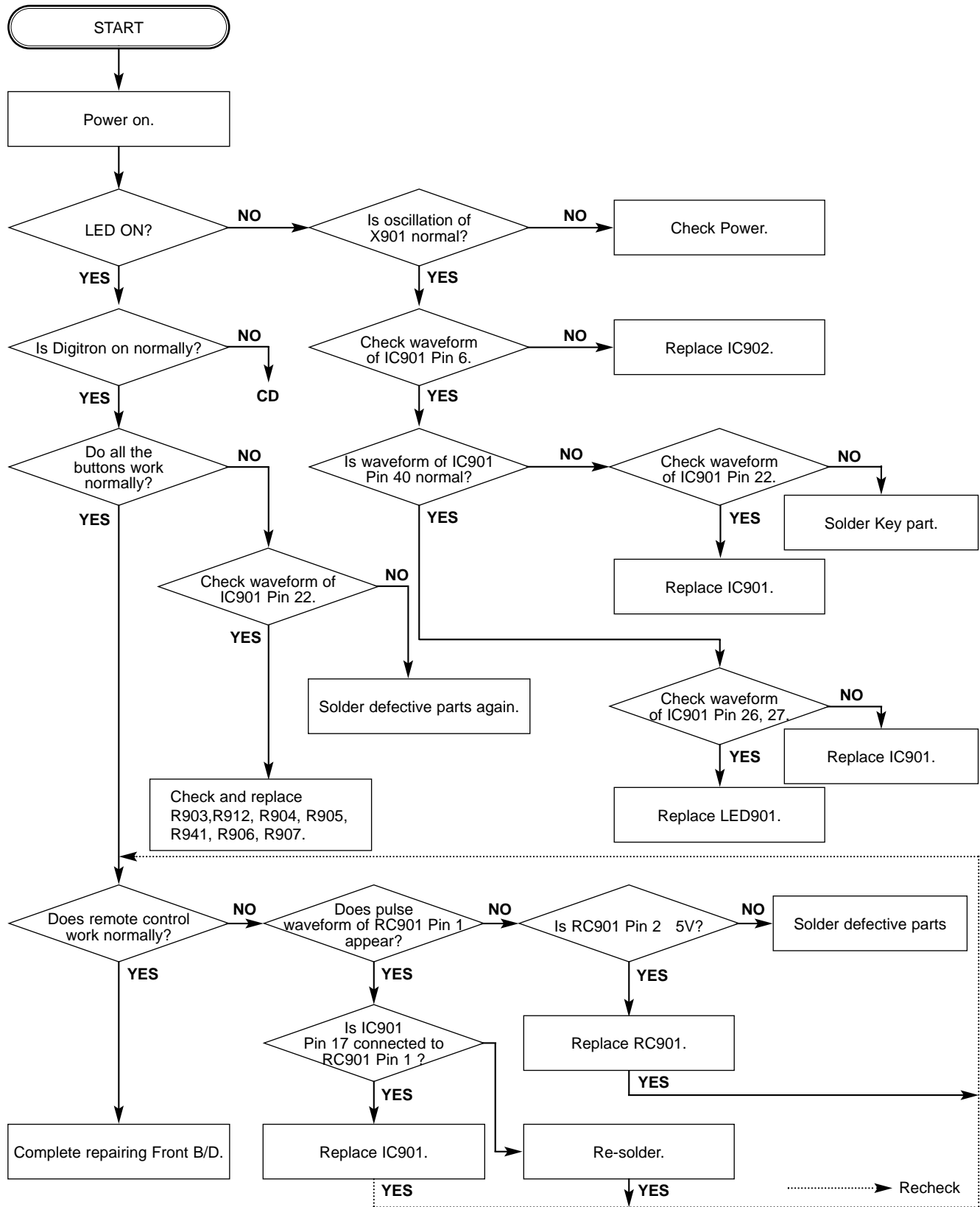




### 3. MPEG Circuit

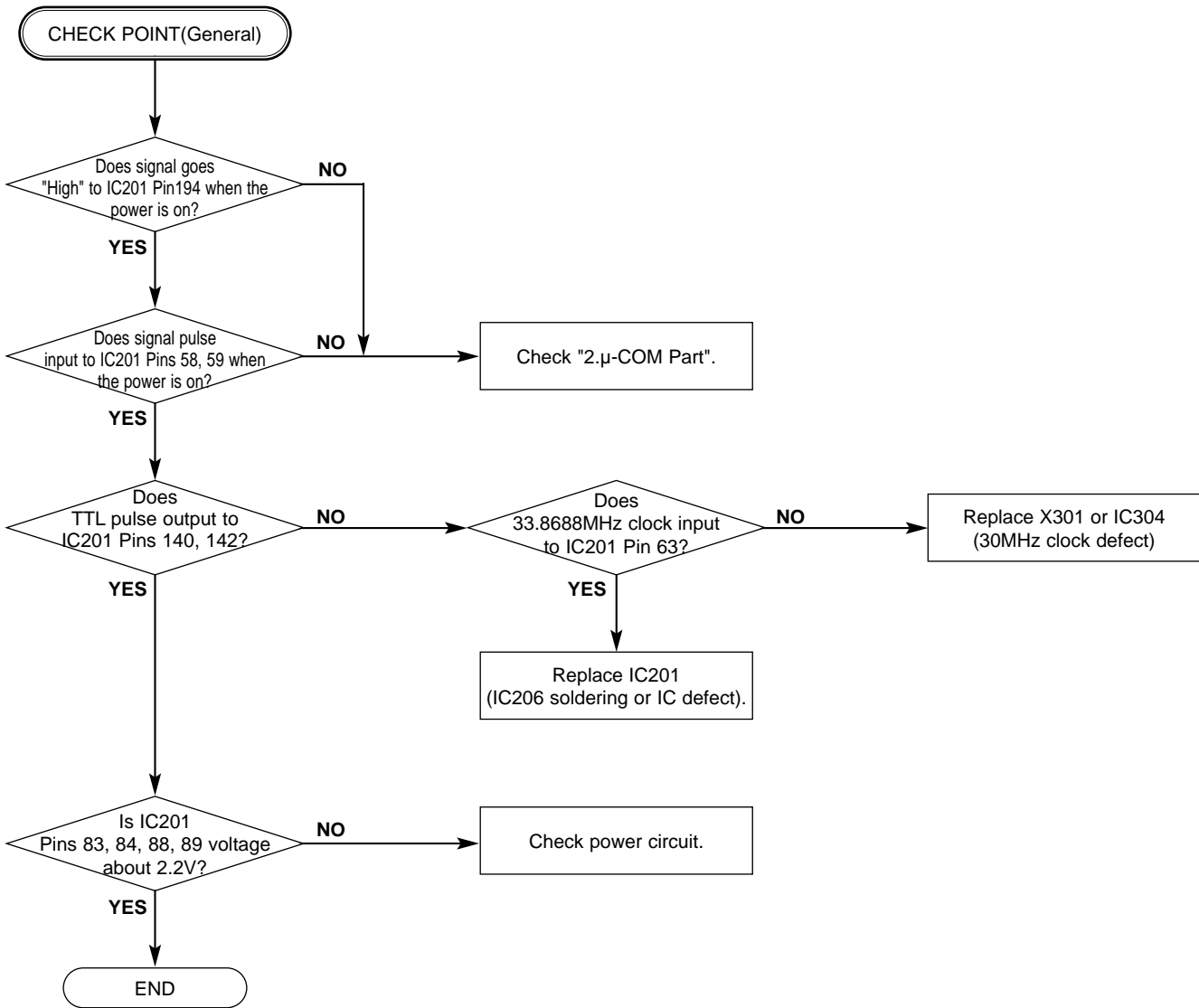


#### 4. Front Circuit (Digitron & key)

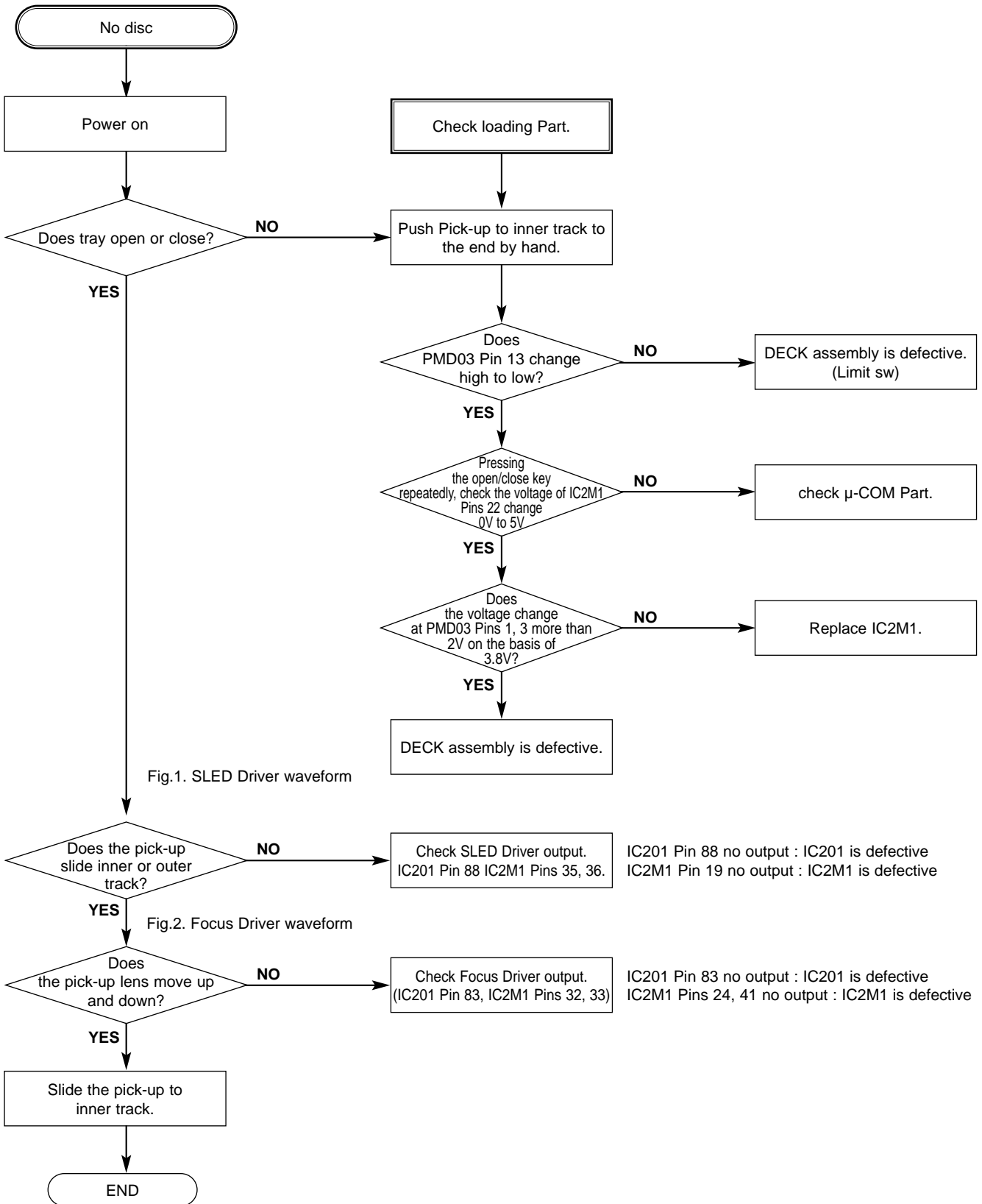


## 5. RF/Servo Circuit

A.



**B.**



C.

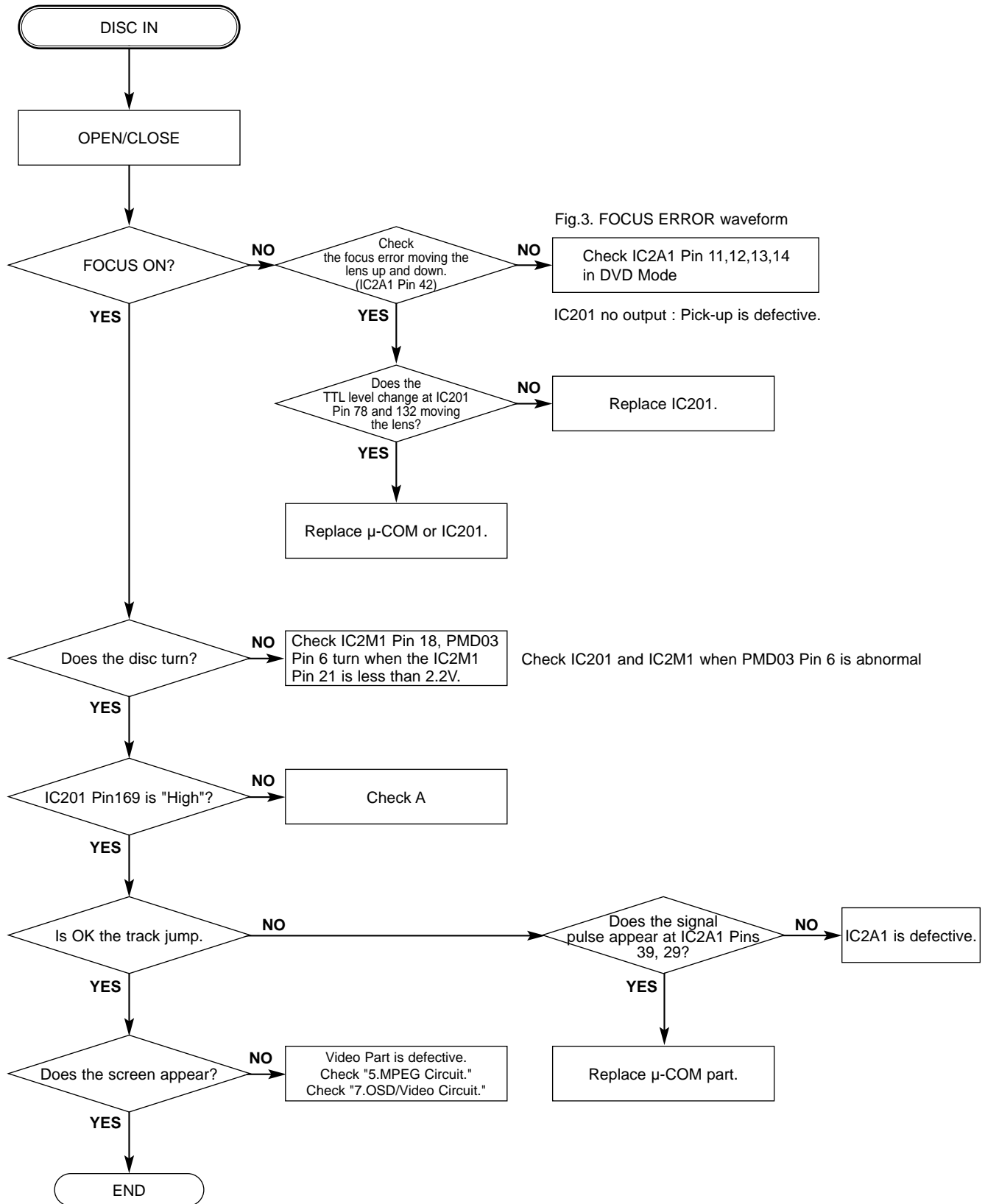
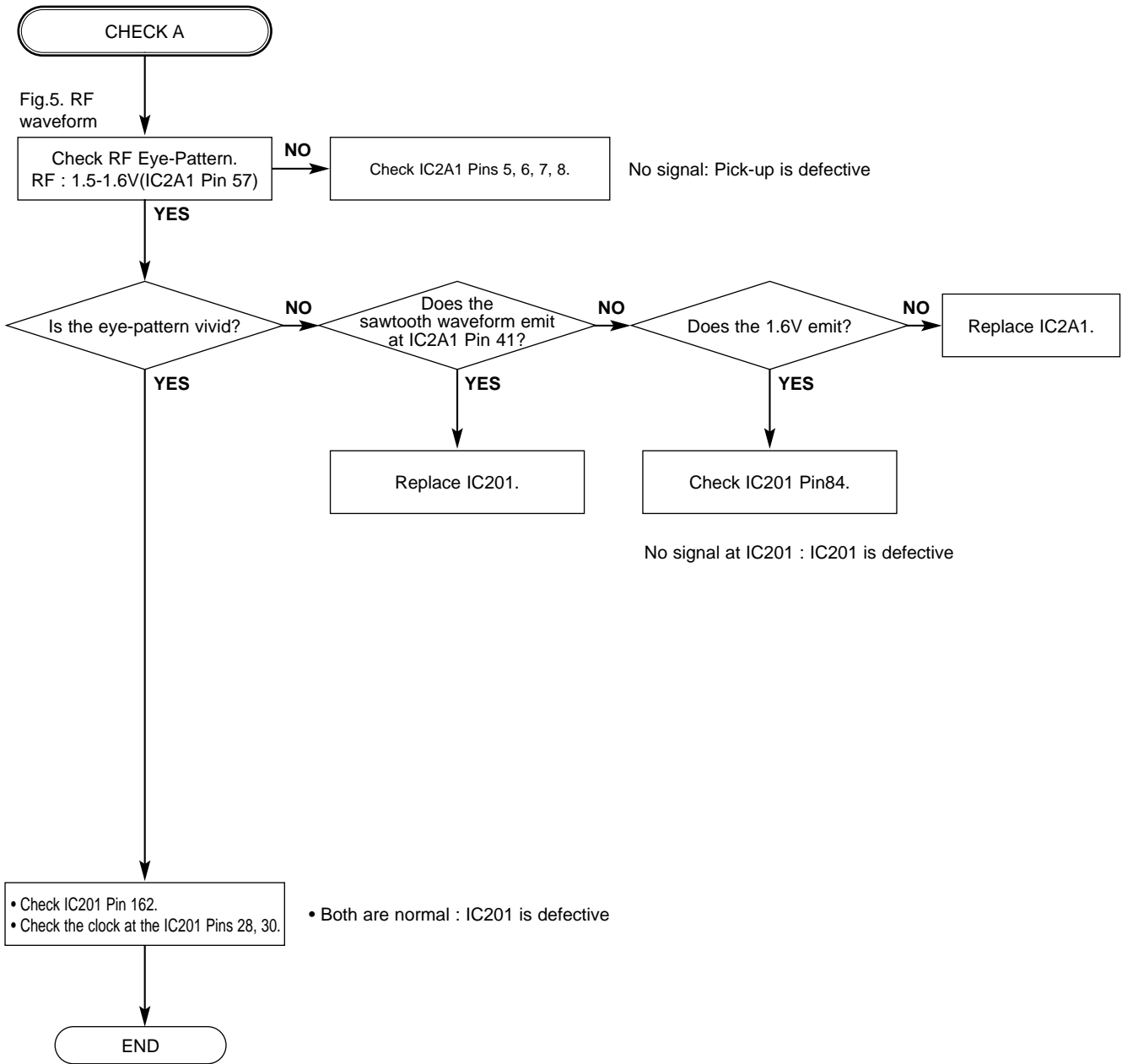


Fig.3. FOCUS ERROR waveform

IC201 no output : Pick-up is defective.

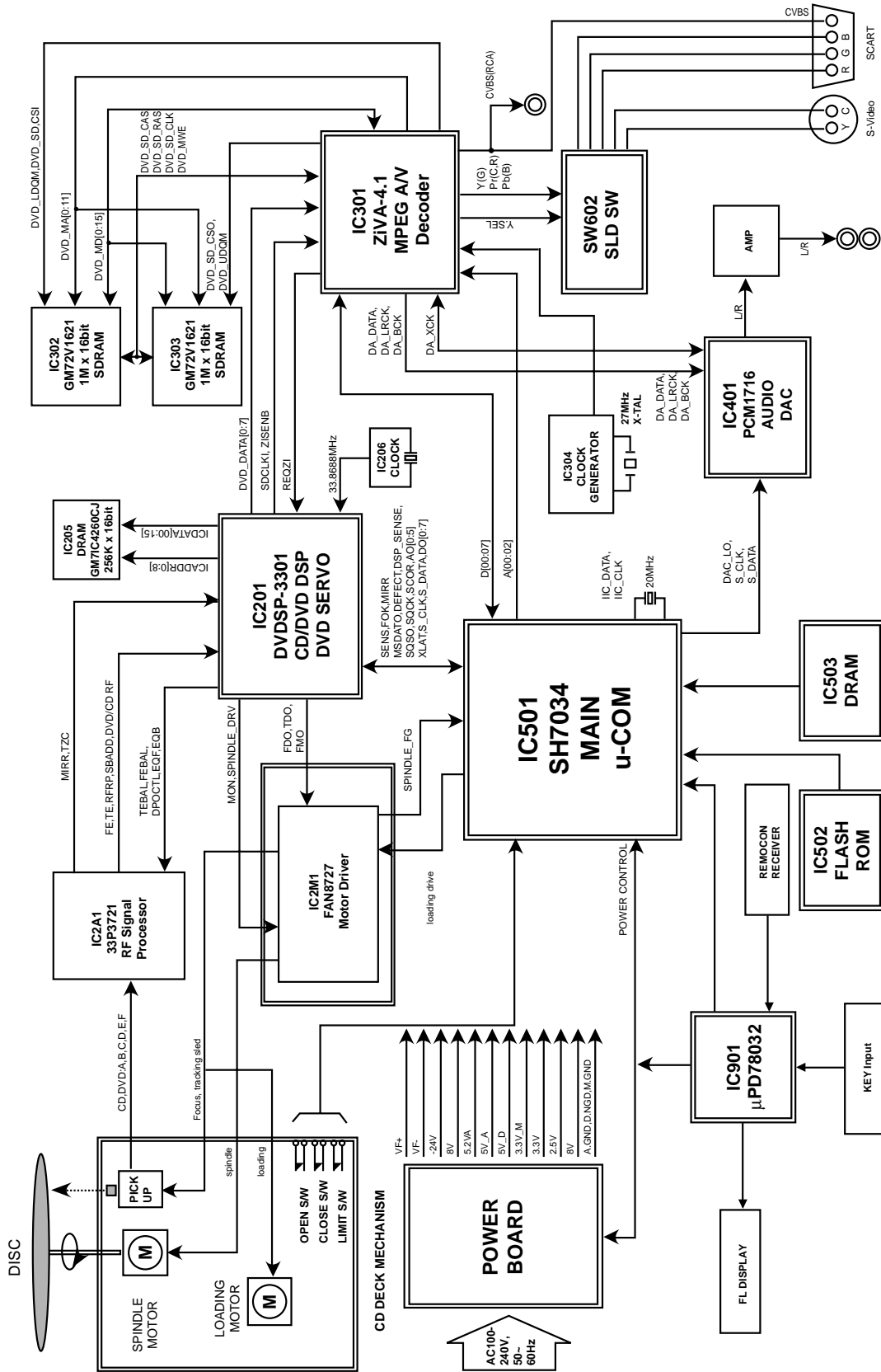
Check IC201 and IC2M1 when PMD03 Pin 6 is abnormal

**D.**



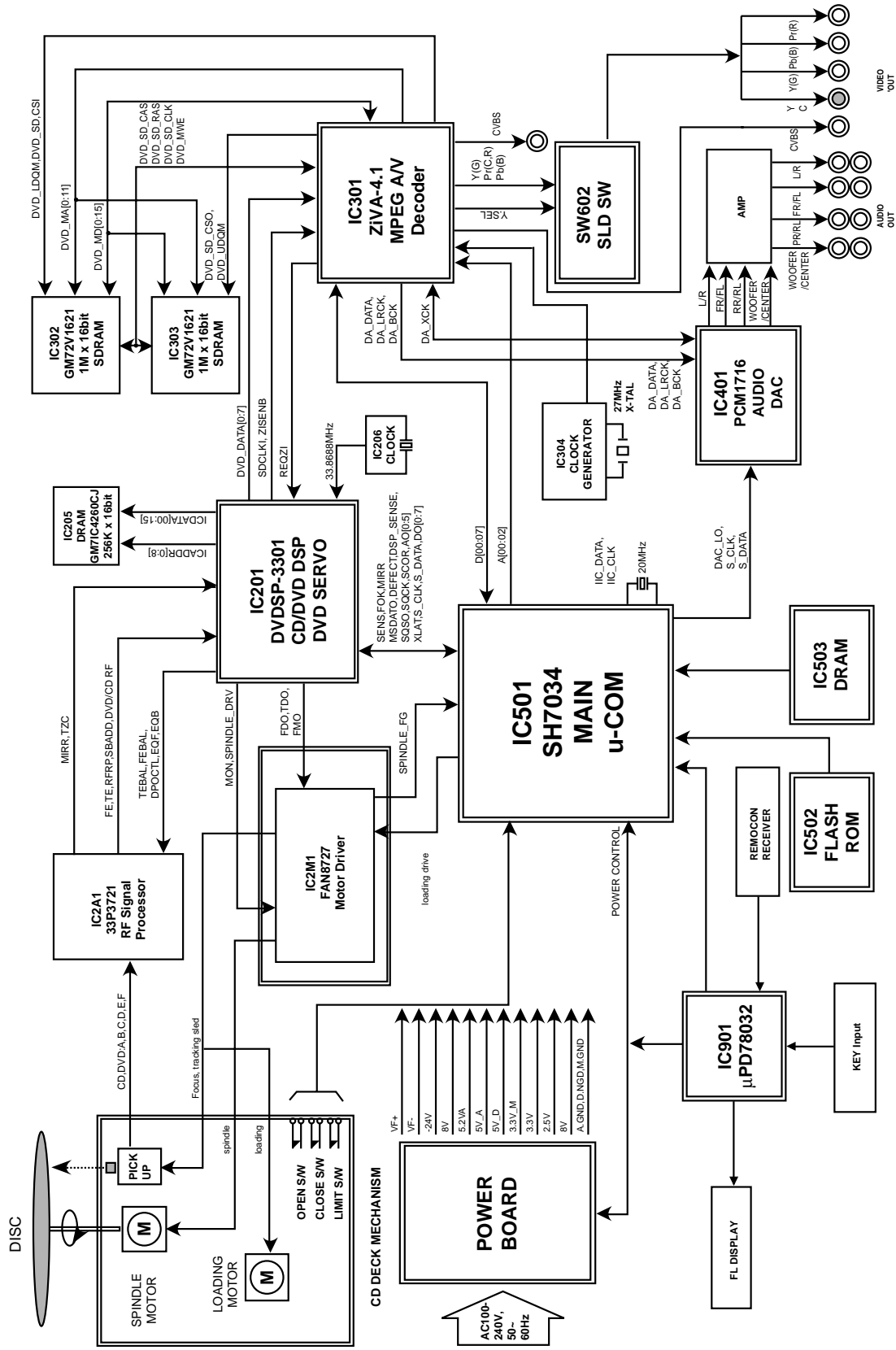
# BLOCK DIAGRAMS

## 1. Overall Block Diagram (T531C ONLY)



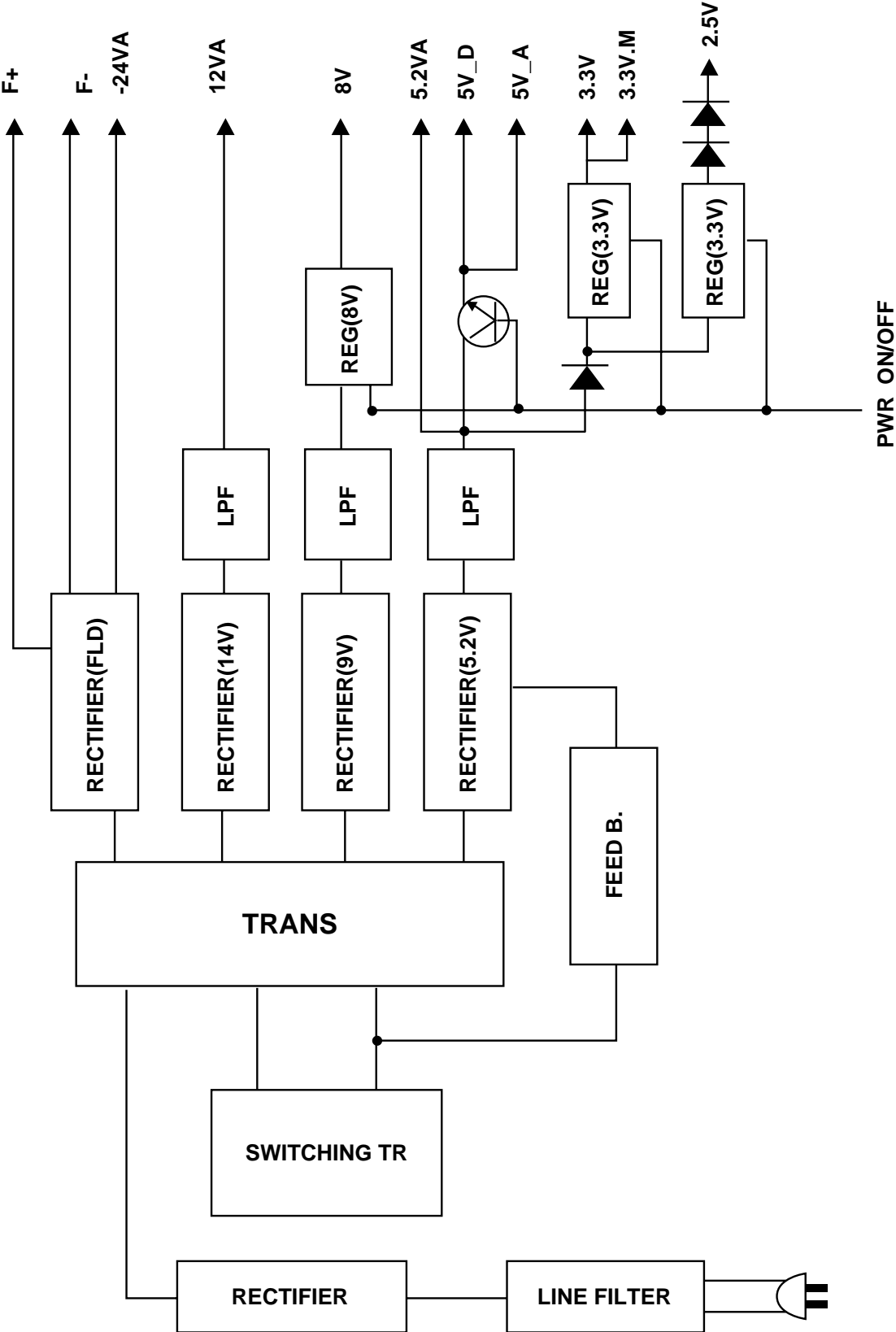
# BLOCK DIAGRAMS

## 1. Overall Block Diagram (T531B, T531AH ONLY)

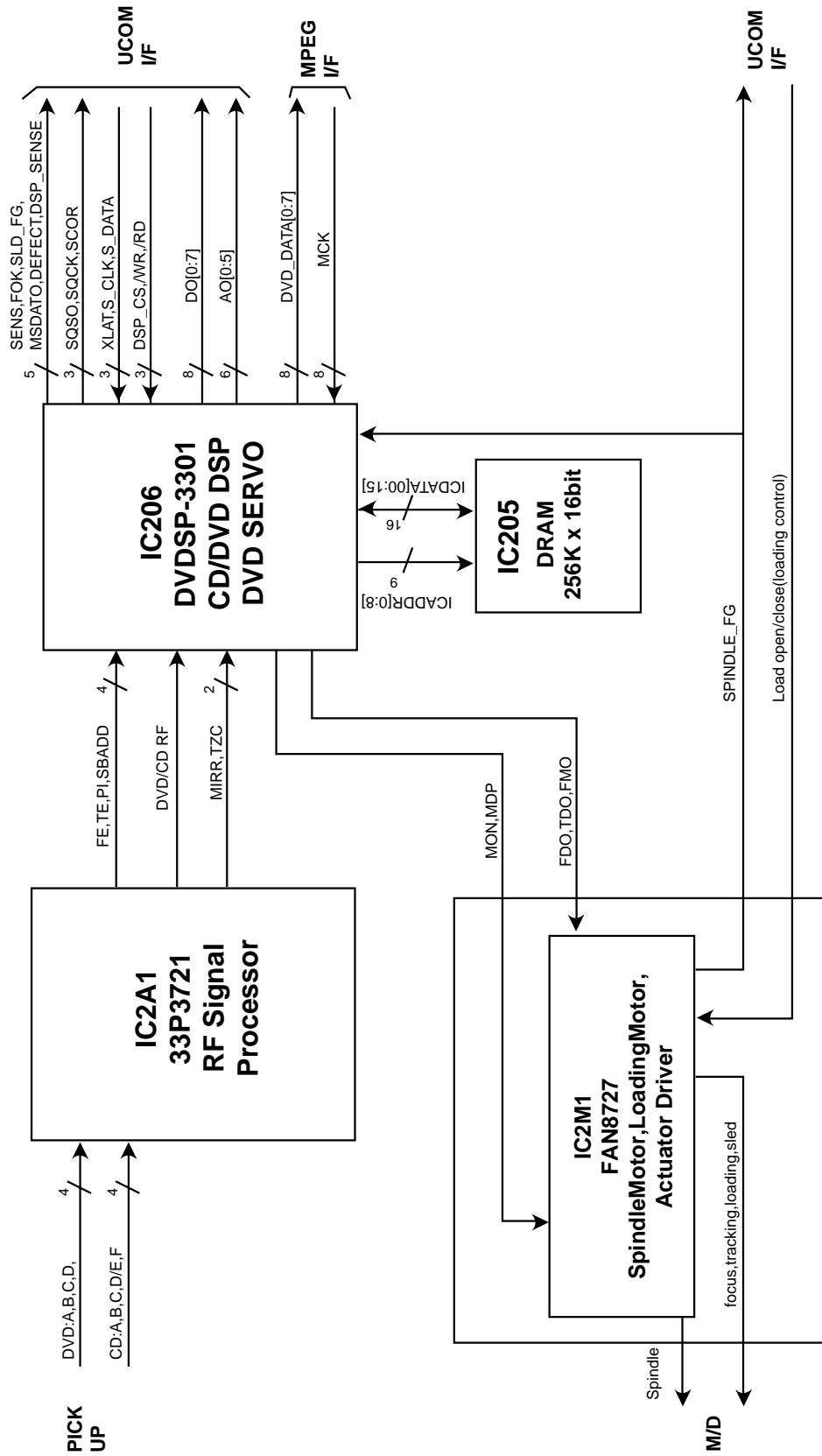




## 2. Power(SMPS) Block Diagram

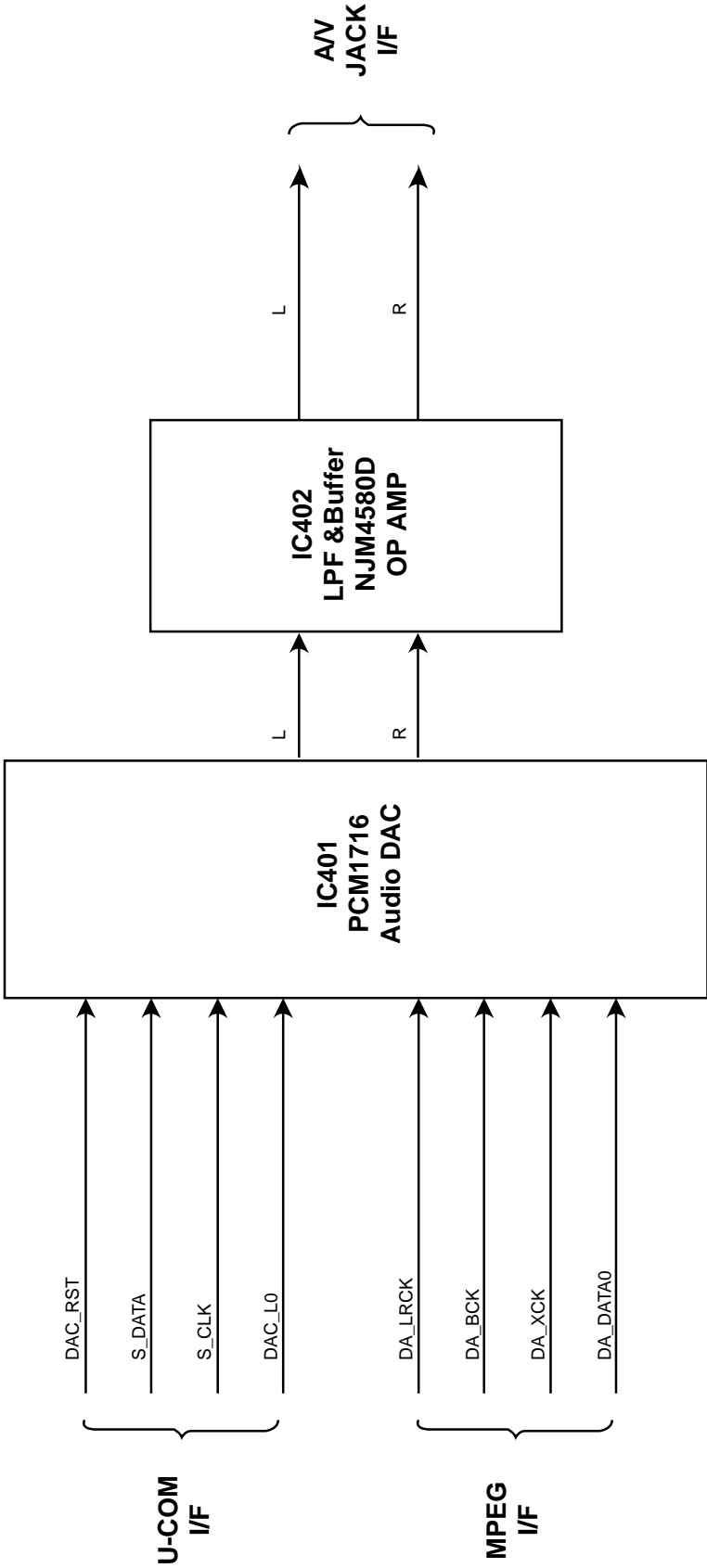


### 3. RF/CD DSP/DVD DSP/DVD SERVO Block Diagram

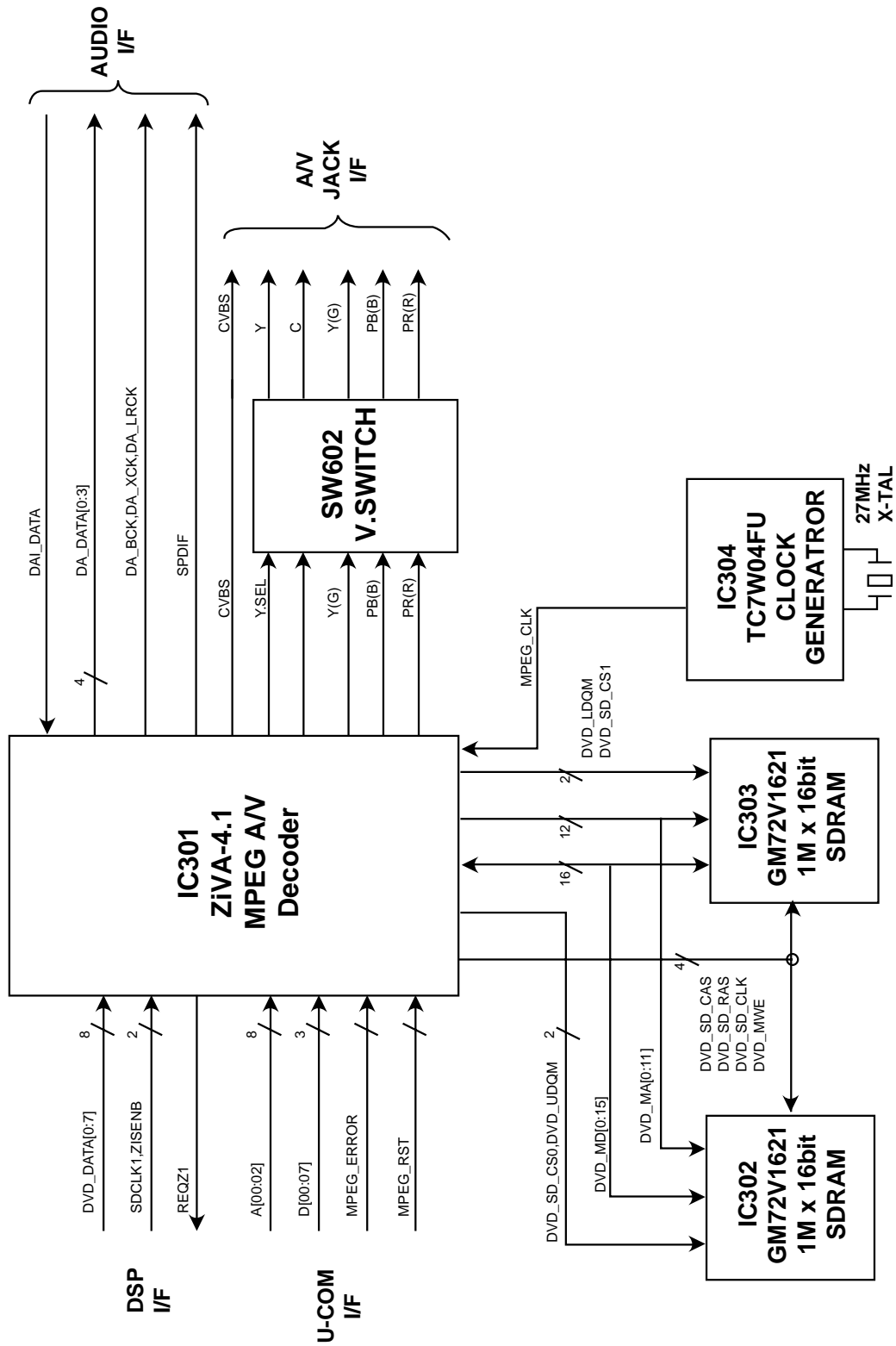


NAD

# 4. Audio Block Diagram

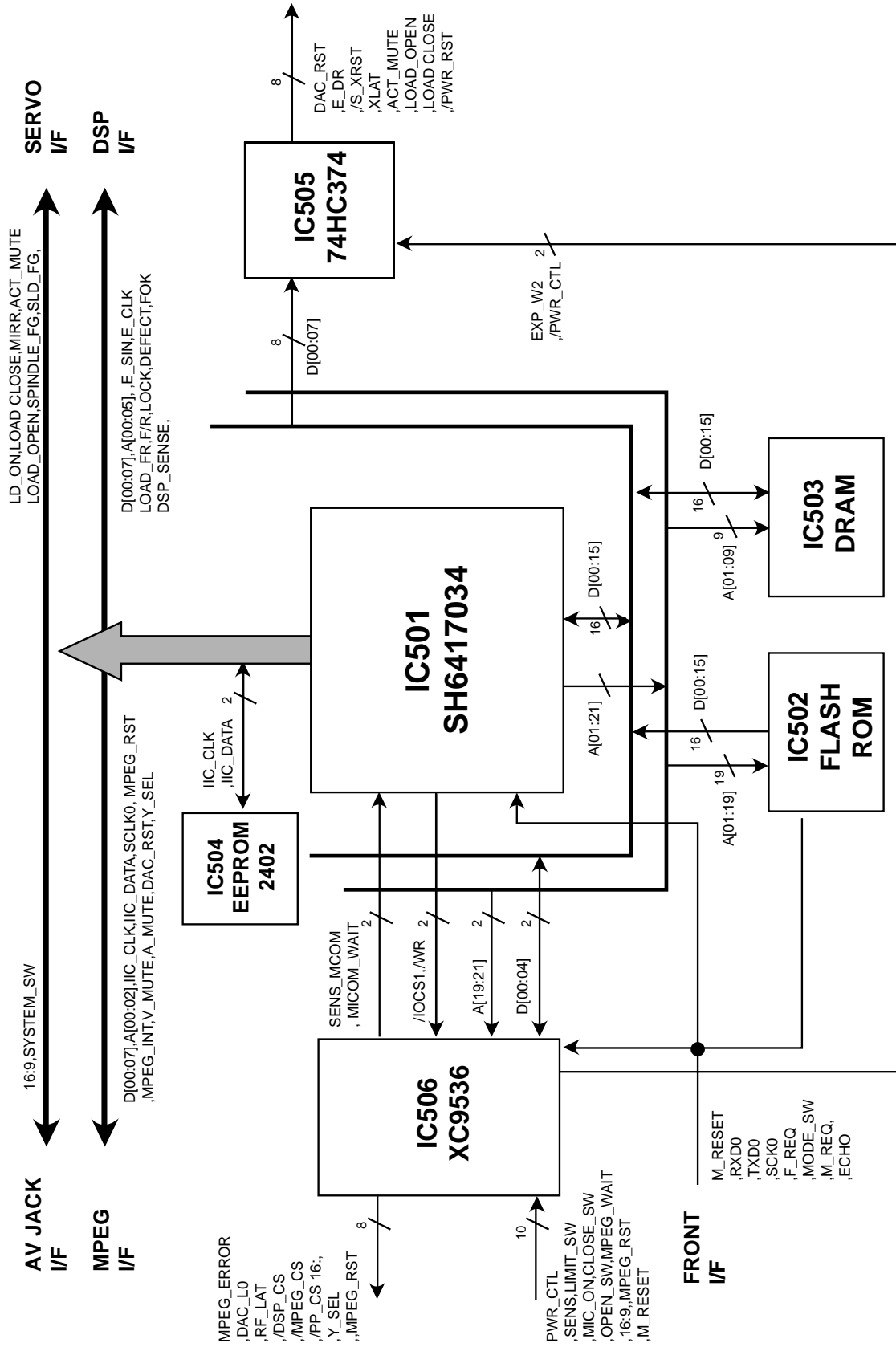


# 5. MPEG Block Diagram



NAD

## 6. $\mu$ -COM Block Diagram



# CIRCUIT DIAGRAM

## 1. POWER(SMPS) CIRCUIT DIAGRAM (T531B, T531C ONLY)

### IMPORTANT SAFETY NOTICE

WHEN SERVICING THIS CHASSIS, UNDER NO CIRCUMSTANCES SHOULD THE ORIGINAL DESIGN BE MODIFIED OR ALTERED WITHOUT PERMISSION FROM THE NAD ELECTRONICS CORPORATION. ALL COMPONENTS SHOULD BE REPLACED ONLY WITH TYPES IDENTICAL TO THOSE IN THE ORIGINAL CIR-

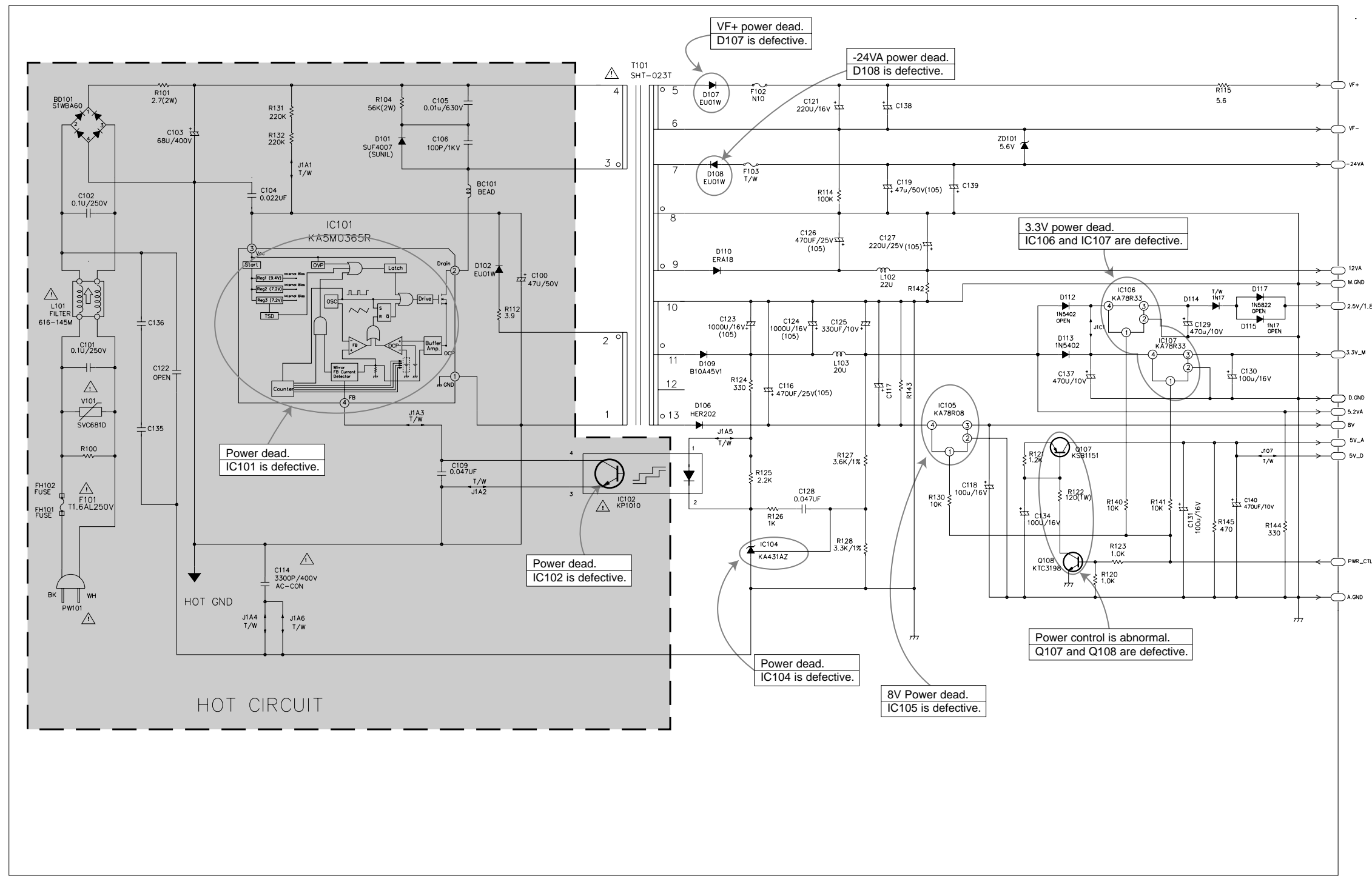
CUIT. SPECIAL COMPONENTS ARE SHADED ON THE SCHEMATIC FOR EASY IDENTIFICATION. THIS CIRCUIT DIAGRAM MAY OCCASIONALLY DIFFER FROM THE ACTUAL CIRCUIT USED. THIS WAY, IMPLEMENTATION OF THE LATEST SAFETY AND PERFORMANCE IMPROVEMENT CHANGES INTO THE SET IS NOT DELAYED UNTIL THE NEW SERVICE LITERATURE IS PRINTED.

### NOTE :

1. Shaded (■) parts are critical for safety. Replace only with specified part number.
2. Voltages are DC-measured with a digital voltmeter during Play mode.

### LOCATION GUIDE

BC101	G10
BD101	B11
C100	G9
C101	B8
C102	B9
C103	C10
C104	D10
C105	F11
C106	F10
C109	F6
C114	D5
C116	J7
C117	K7
C118	L6
C119	K10
C121	J11
C122	C8
C123	I8
C124	J8
C125	K8
C126	J9
C127	K9
C128	J6
C129	O8
C130	O7
C131	O6
C134	M6
C135	C7
C136	C8
C137	M7
C138	K10
C139	L10
C140	O6
D.GND	F7
D101	E10
D102	F9
D106	I7
D107	I11
D108	I10
D109	I8
D110	I9
D112	M8
D113	M8
D114	O8
D115	O8
D117	O8
F102	J11
F103	J10
FH101	B6
FH102	B6
IC101	E9
IC102	H6
IC104	J6
IC105	L7
IC106	N8
IC107	N8
J107	O7
J1A1	D10
J1A2	F6
J1A3	F7
J1A4	D5
J1A5	I7
J1A6	D5
J1C1	M8
L101	B8
L102	K9
L103	K8
M.GND	P9
PW101	B5
PWR_CTLP5	M7
Q107	M7
Q108	M5
R100	B7
R101	C11
R104	E11
R112	G8
R114	J10
R115	O11
R120	N5
R121	M7
R122	M6
R123	N6
R124	I7
R125	J6
R126	J6
R127	K7
R128	K6
R130	L6
R131	D10
R132	D10
R140	N6
R141	N6
R142	K8
R143	K7
R144	O6
R145	O6
T101	H11
V101	B7
VF+	P11
VF-	P10
ZD101	L10



'01.02.12 R10677B  
D'SCHEMATIC POWER  
NAD (220V)

NOTES: ⚠ Warning Parts that are shaded are critical With respect to risk of fire or electrical shock.  
NOTES: ⚡ Symbol denotes AC ground.  
⚡ Symbol denotes DC chassis ground.

# 1. POWER(SMPS) CIRCUIT DIAGRAM (T531AH ONLY)

## IMPORTANT SAFETY NOTICE

WHEN SERVICING THIS CHASSIS, UNDER NO CIRCUMSTANCES SHOULD THE ORIGINAL DESIGN BE MODIFIED OR ALTERED WITHOUT PERMISSION FROM THE NAD ELECTRONICS CORPORATION. ALL COMPONENTS SHOULD BE REPLACED ONLY WITH TYPES IDENTICAL TO THOSE IN THE ORIGINAL CIR-

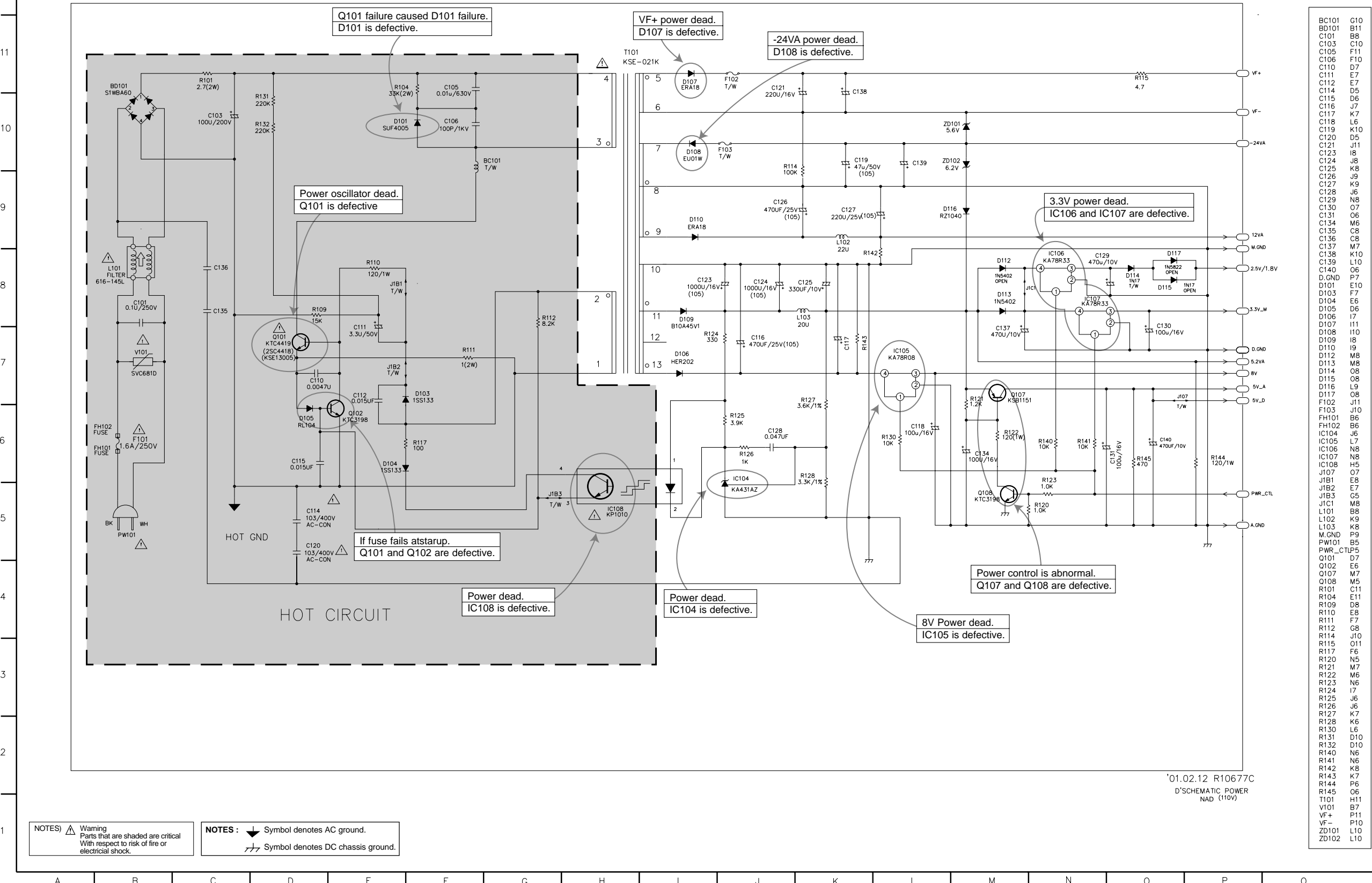
CUIT. SPECIAL COMPONENTS ARE SHADED ON THE SCHEMATIC FOR EASY IDENTIFICATION. THIS CIRCUIT DIAGRAM MAY OCCASIONALLY DIFFER FROM THE ACTUAL CIRCUIT USED. THIS WAY, IMPLEMENTATION OF THE LATEST SAFETY AND PERFORMANCE IMPROVEMENT CHANGES INTO THE SET IS NOT DELAYED UNTIL THE NEW SERVICE LITERATURE IS PRINTED.

## NOTE :

1. Shaded (■) parts are critical for safety. Replace only with specified part number.
2. Voltages are DC-measured with a digital voltmeter during Play mode.

## LOCATION GUIDE

BC101	G10
BD101	B11
C101	B8
C103	C10
C105	F11
C106	F10
C110	D7
C111	E7
C112	E7
C114	D5
C115	D6
C116	J7
C117	K7
C118	L6
C119	K10
C120	D5
C121	J11
C123	I8
C124	J8
C125	K8
C126	J9
C127	K9
C128	J6
C129	N8
C130	O7
C131	O6
C134	M6
C135	C8
C136	C8
C137	M7
C138	K10
C139	L10
C140	O6
D.GND	P7
D101	E10
D103	F7
D104	E6
D105	D6
D106	I7
D107	I11
D108	I10
D109	I8
D110	I9
D112	M8
D113	M8
D114	O8
D115	O8
D116	L9
D117	O8
F102	J11
F103	J10
FH101	B6
FH102	B6
IC104	J6
IC105	L7
IC106	N8
IC107	N8
IC108	H5
J107	O7
J1B1	E8
J1B2	F7
J1B3	G5
J1C1	M8
L101	B8
L102	K9
L103	K8
M.GND	P9
PW101	B5
PWR_CTLP5	B5
Q101	D7
Q102	E6
Q107	M7
Q108	M5
R101	C11
R104	E11
R109	D8
R110	E8
R111	F7
R112	G8
R114	J10
R115	O11
R117	F6
R120	N5
R121	M7
R122	M6
R123	N6
R124	I7
R125	J6
R126	J6
R127	K7
R128	K6
R130	L6
R131	D10
R132	D10
R140	N6
R141	N6
R142	K8
R143	K7
R144	P6
R145	O6
T101	H11
V101	B7
VF+	P11
VF-	P10
ZD101	L10
ZD102	L10



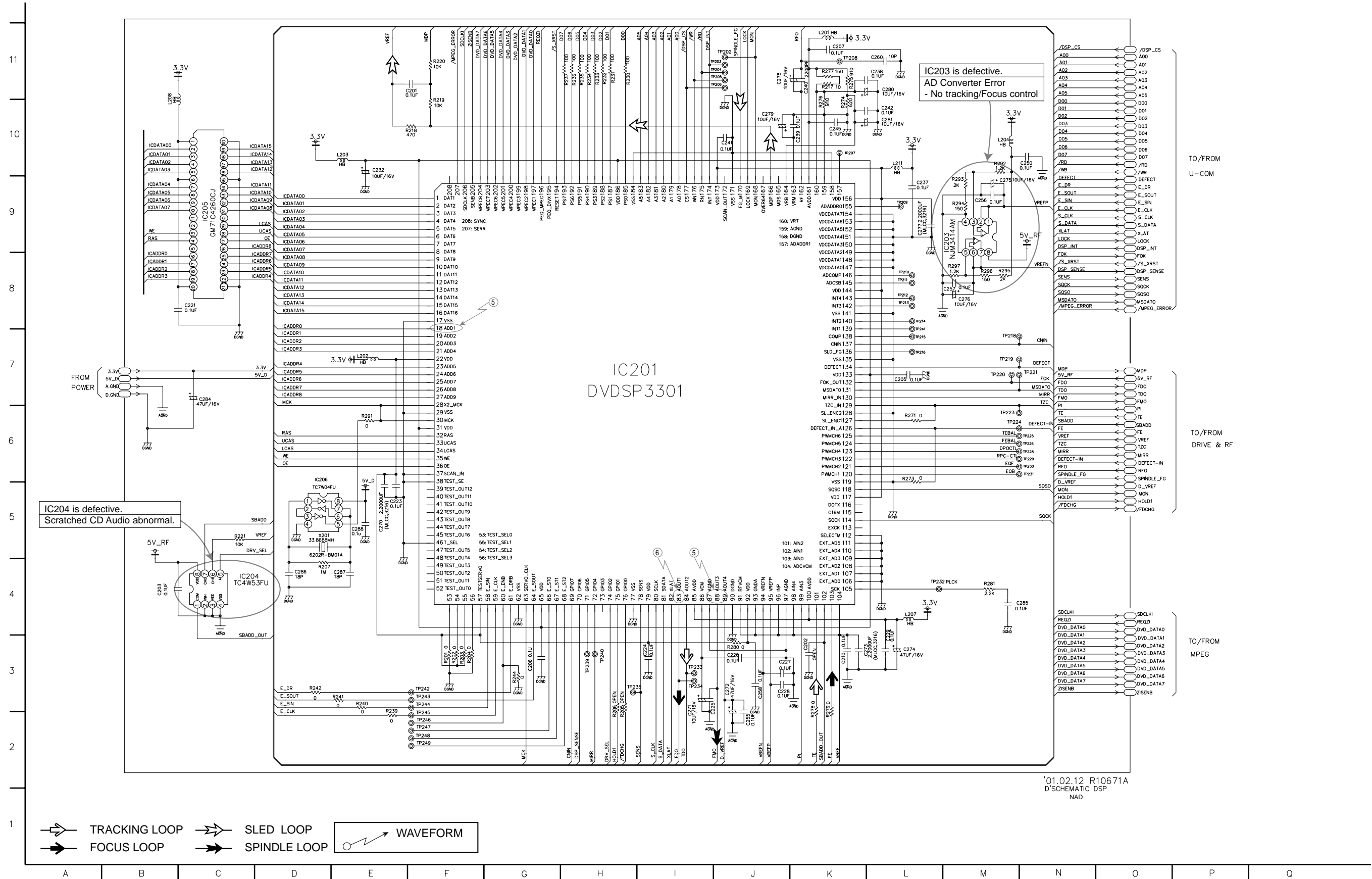
NOTES: ⚠ Warning Parts that are shaded are critical With respect to risk of fire or electrical shock.

NOTES: ⚡ Symbol denotes AC ground.

⚡ Symbol denotes DC chassis ground.

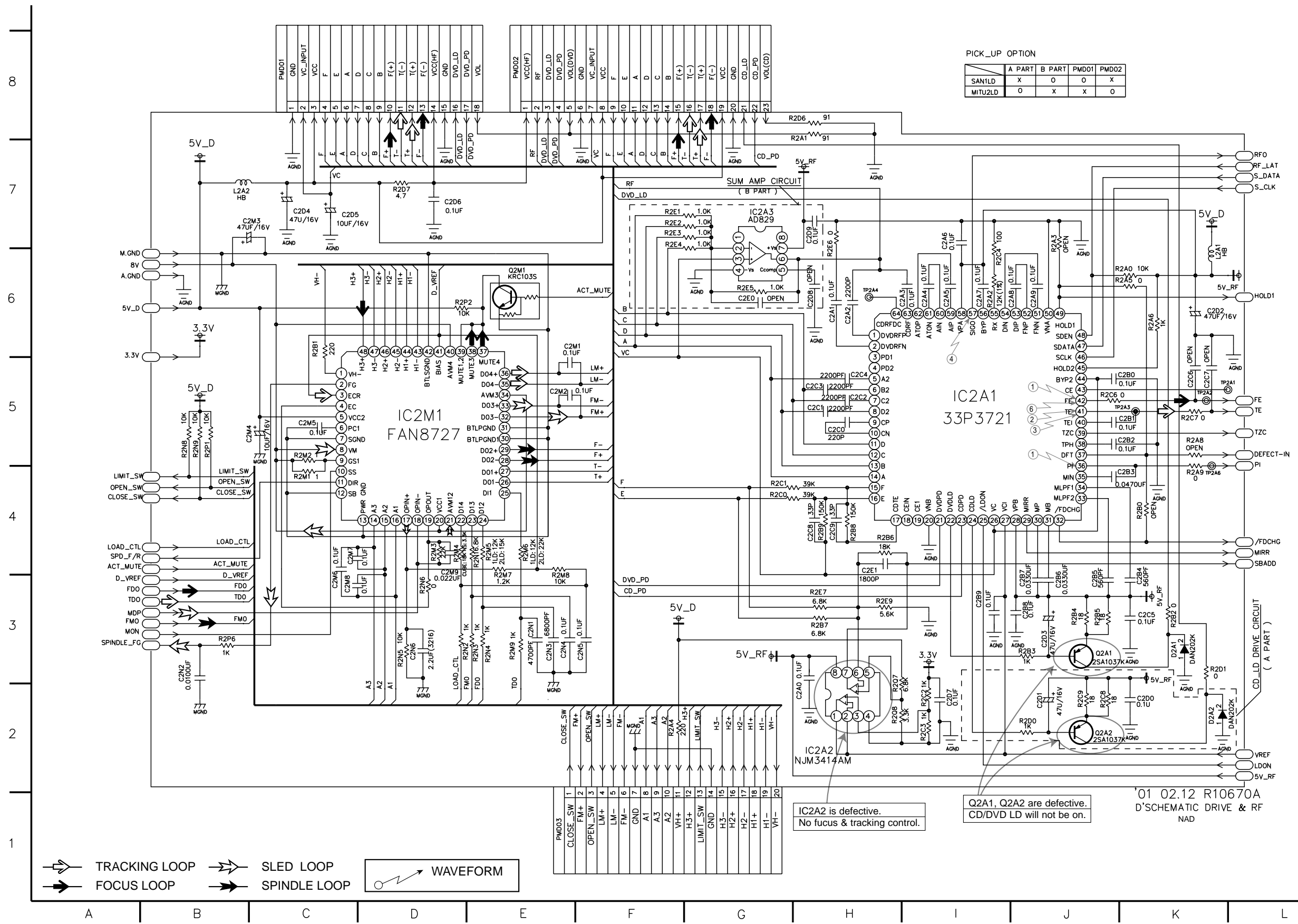
'01.02.12 R10677C  
D'SCHEMATIC POWER  
NAD (110V)

## 2. DVD DSP CIRCUIT DIAGRAM





### 3. DRIVE & RF CIRCUIT DIAGRAM



PICK\_UP OPTION

	A PART	B PART	PMD01	PMD02
SAN1LD	X	O	O	X
MITU2LD	O	X	X	O

#### LOCATION GUIDE

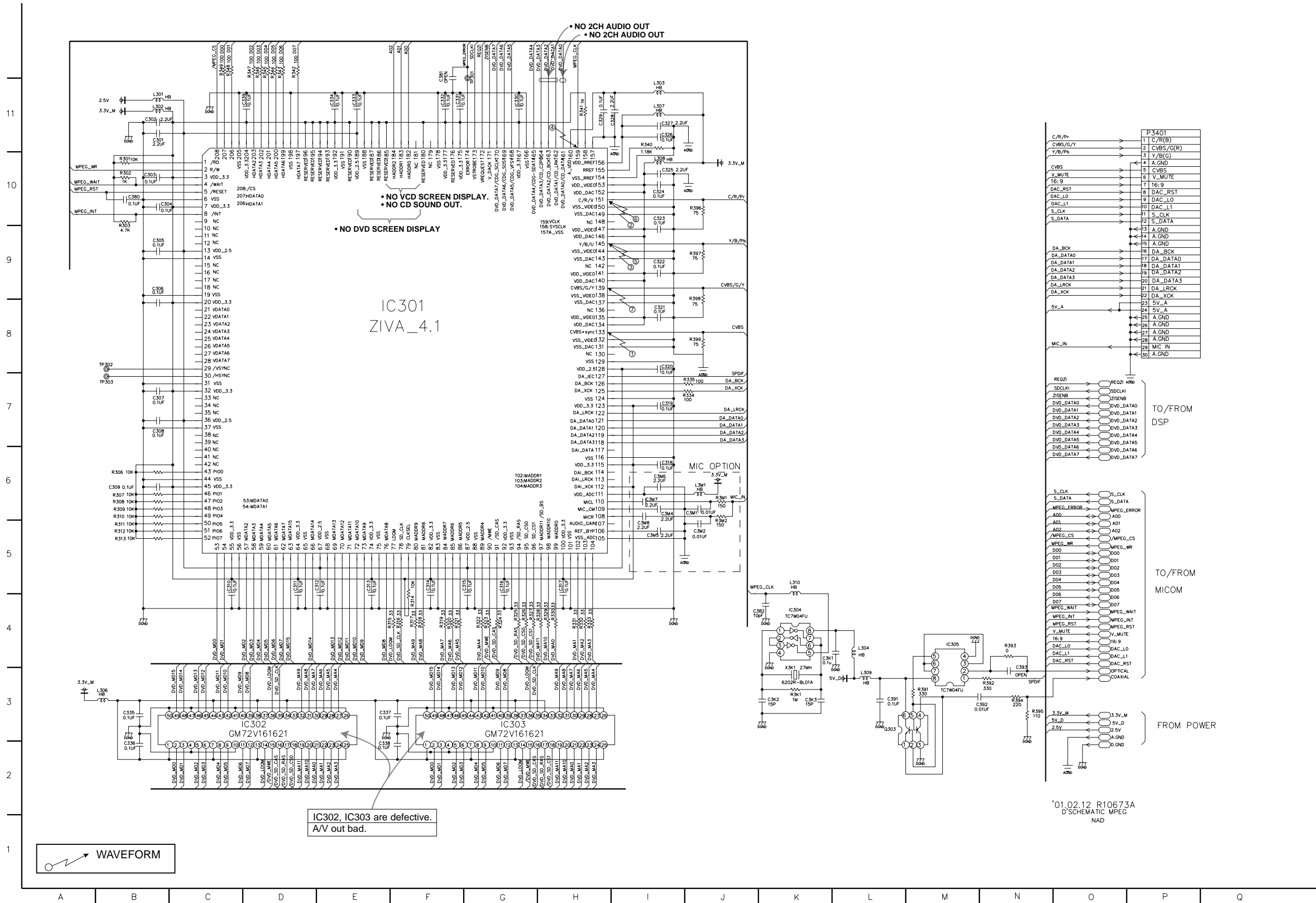
C2A0	H2	Q2A2	J2
C2A1	H6	Q2M1	E6
C2A2	H6	R2A0	J6
C2A3	I6	R2A1	G7
C2A4	I6	R2A2	I6
C2A5	I6	R2A3	J6
C2A6	I6	R2A4	F2
C2A7	I6	R2A5	J6
C2A8	J6	R2A6	K6
C2A9	J6	R2A8	K5
C2B0	J5	R2A9	K4
C2B1	K5	R2B0	K4
C2B2	J5	R2B1	C6
C2B3	J4	R2B2	K3
C2B4	K3	R2B3	J3
C2B5	J3	R2B4	J3
C2B6	J3	R2B5	J3
C2B7	J3	R2B6	H4
C2B8	J3	R2B7	H3
C2B9	I3	R2B8	H4
C2C0	H5	R2B9	H4
C2C1	H5	R2C0	G4
C2C2	H5	R2C1	G4
C2C3	H5	R2C2	I2
C2C4	H5	R2C3	I2
C2C5	K3	R2C4	I6
C2C6	K5	R2C6	J5
C2C7	K5	R2C7	K5
C2C8	H4	R2C8	J2
C2C9	H4	R2C9	J2
C2D0	K2	R2D0	J2
C2D1	J2	R2D1	K3
C2D2	K6	R2D6	G8
C2D3	J3	R2D7	D7
C2D4	C7	R2E1	F7
C2D5	C7	R2E2	F7
C2D6	D7	R2E3	F7
C2D7	I2	R2E4	F7
C2D8	H6	R2E5	G6
C2D9	H7	R2E6	H6
C2E0	G6	R2E7	H3
C2E1	H4	R2E9	H3
C2M1	E6	R2M1	C4
C2M2	E5	R2M2	C5
C2M3	B7	R2M3	D4
C2M4	C5	R2M4	D4
C2M5	C5	R2M5	E4
C2M6	C3	R2M6	E4
C2M7	C4	R2M7	E3
C2M8	C3	R2M8	E3
C2M9	D4	R2M9	E3
C2N1	E3	R2N1	E4
C2N2	B3	R2N2	E3
C2N3	E3	R2N3	E3
C2N4	E3	R2N4	E3
C2N5	F3	R2N5	D3
C2N6	D3	R2N6	D3
D2A1	K3	R2N8	B5
D2A2	K2	R2N9	B5
IC2A1	I5	R2P1	B5
IC2A2	H2	R2P2	D6
IC2A3	G7	R2P6	B3
IC2M1	D5	R2Q7	H2
L2A1	K6	R2Q8	H2
L2A2	B7	TP2A1	K5
PMD01	C8	TP2A2	K5
PMD02	E8	TP2A3	J5
PMD03	E1	TP2A4	H6
Q2A1	J3	TP2A6	K4

IC2A2 is defective.  
No focus & tracking control.

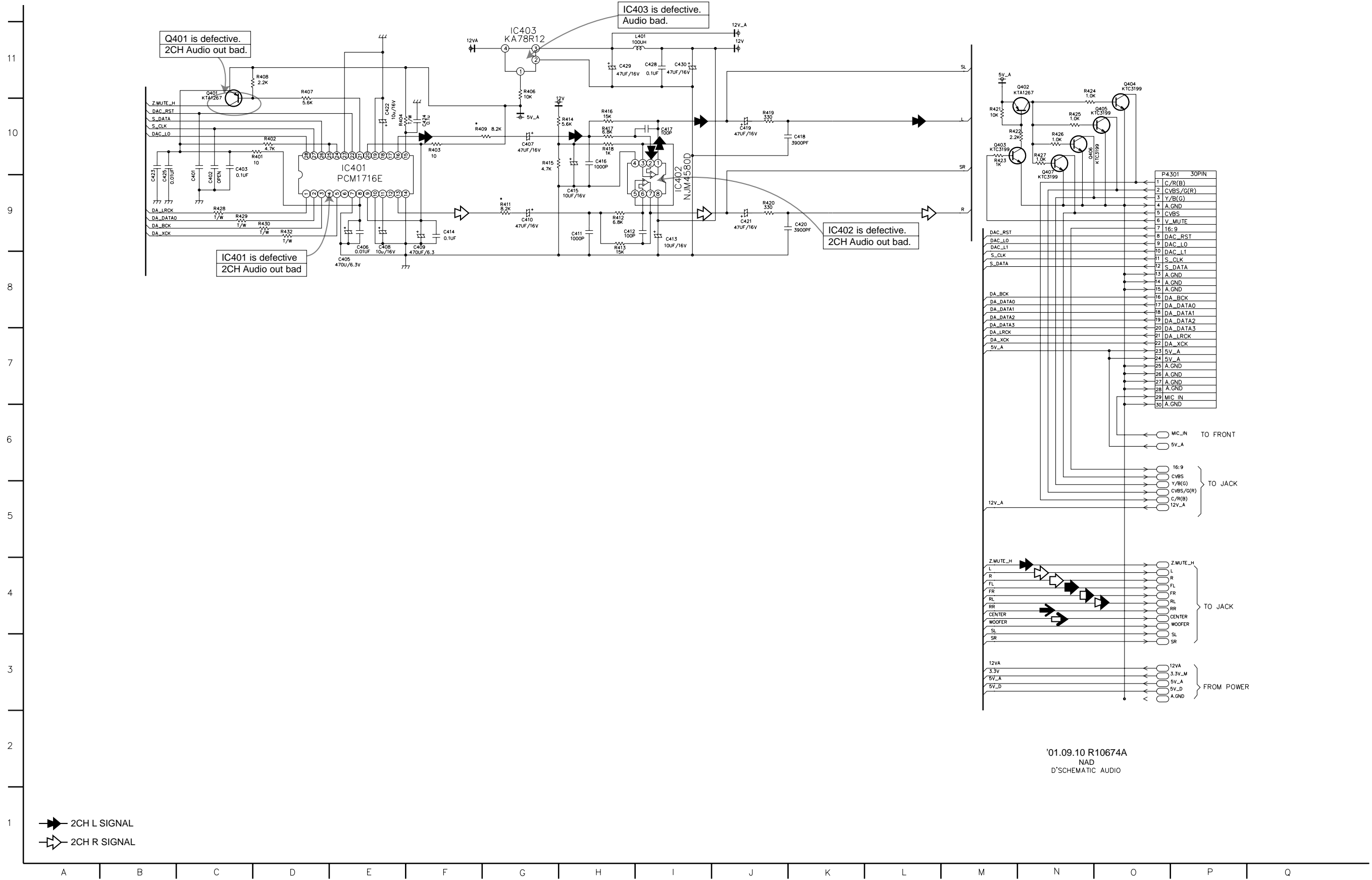
Q2A1, Q2A2 are defective.  
CD/DVD LD will not be on.

'01 02.12 R10670A  
D'SCHEMATIC DRIVE & RF  
NAD

# 4. MPEG CIRCUIT DIAGRAM

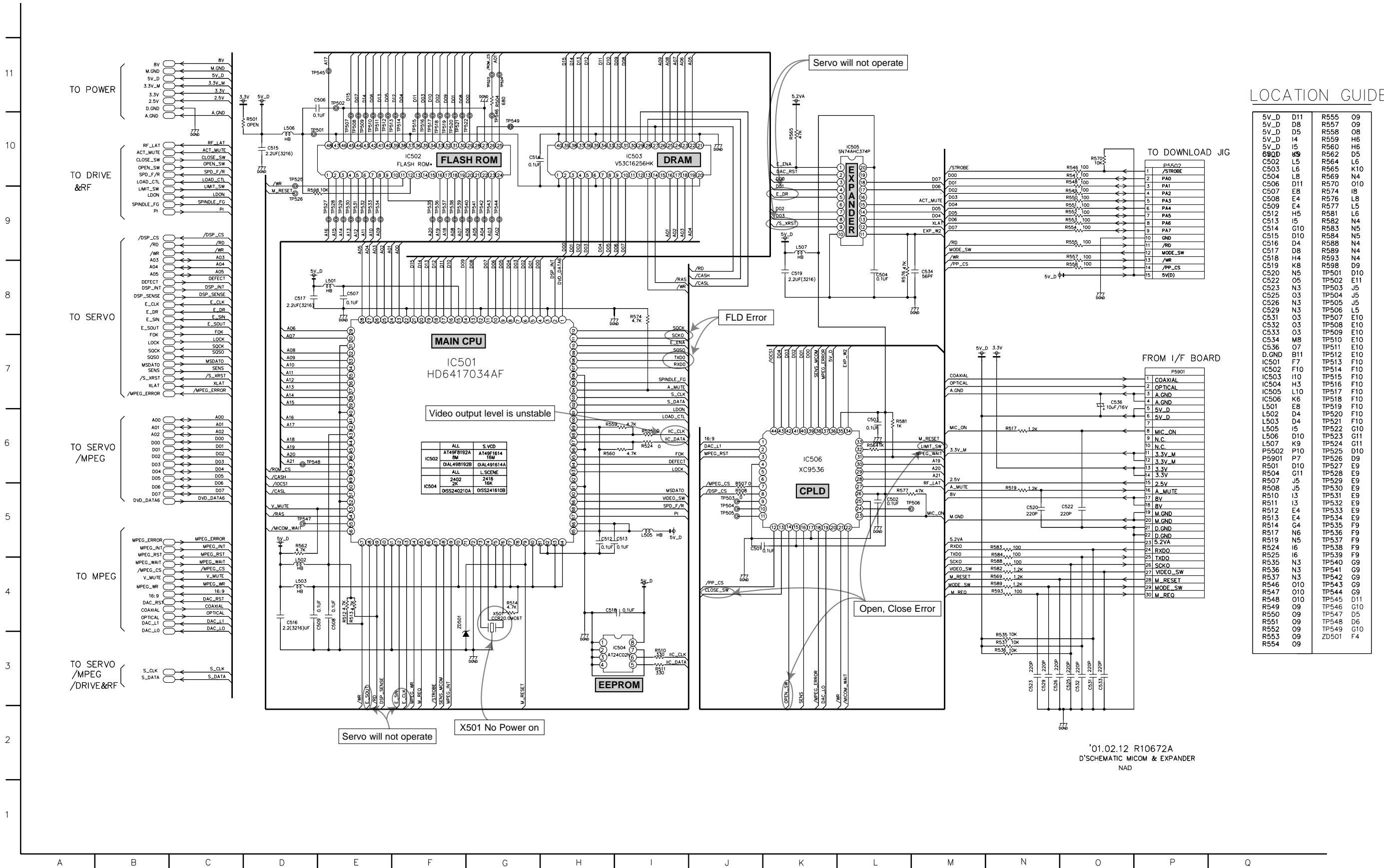


# 5. AUDIO DM CIRCUIT DIAGRAM



'01.09.10 R10674A  
 NAD  
 D'SCHEMATIC AUDIO

# 6. μ-COM/EXPANDER CIRCUIT DIAGRAM

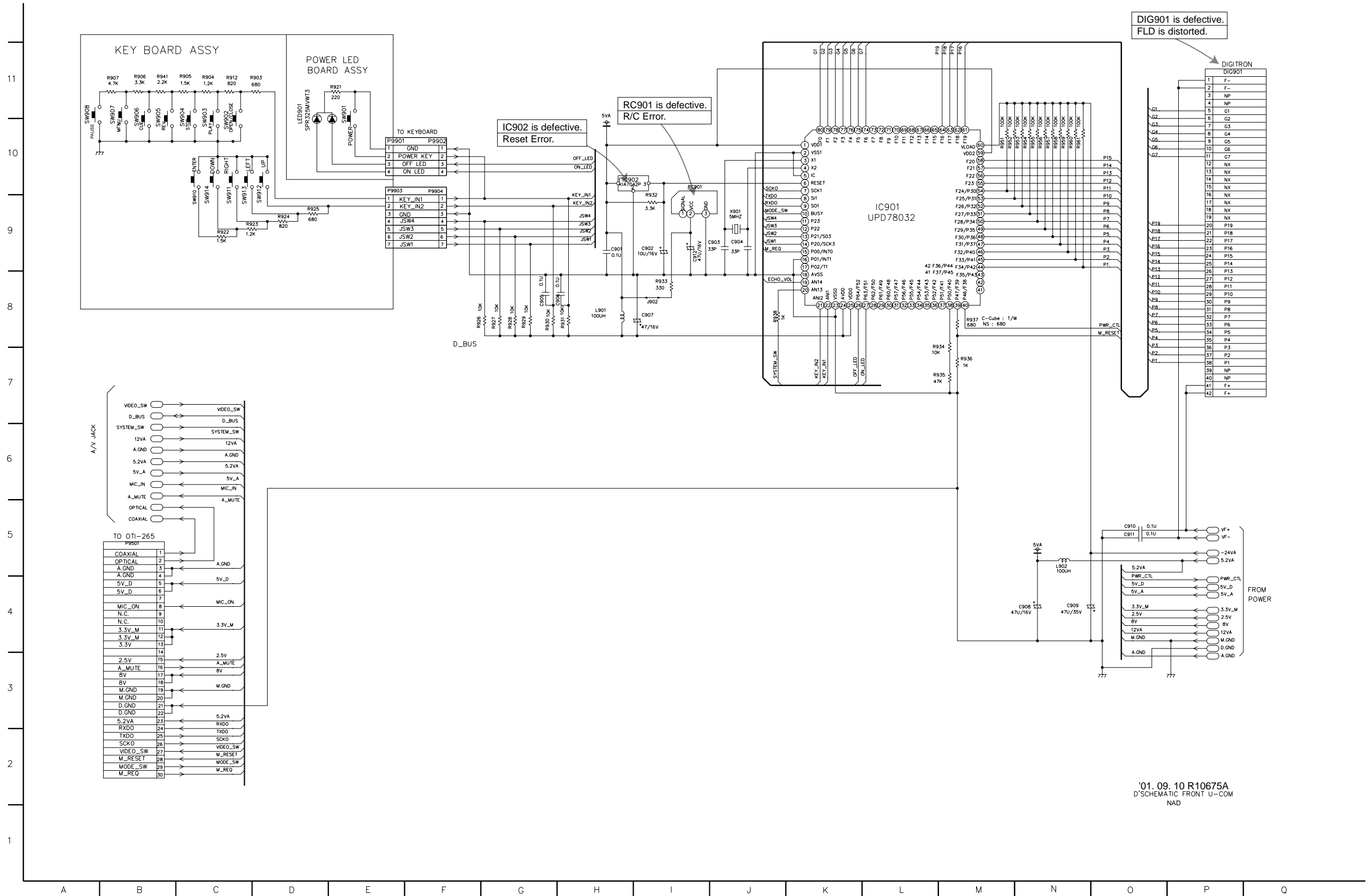


## LOCATION GUIDE

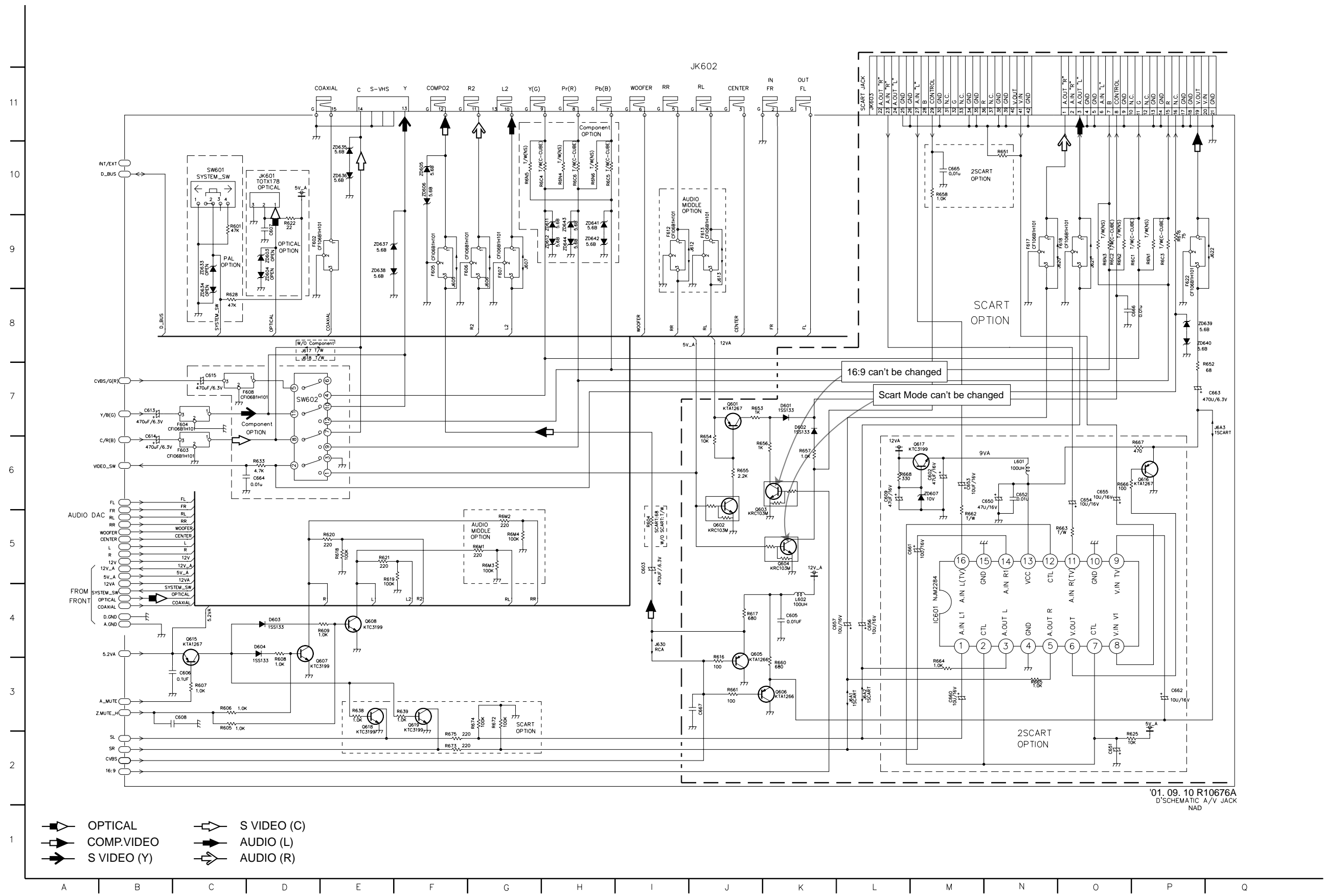
5V_D	D11	R555	09
5V_D	D8	R557	09
5V_D	D5	R558	08
5V_D	I4	R559	H6
5V_D	I5	R560	H6
6800	K9	R562	D5
C502	L5	R564	L6
C503	L6	R565	K10
C504	L8	R569	N4
C506	D11	R570	O10
C507	E8	R574	I8
C508	E4	R576	L8
C509	E4	R577	L5
C512	H5	R581	L6
C513	I5	R582	N4
C514	G10	R583	N5
C515	D10	R584	N5
C516	D4	R588	N4
C517	D8	R589	N4
C518	H4	R593	N4
C519	K8	R598	O9
C520	N5	TP501	D10
C522	O5	TP502	E11
C523	N3	TP503	J5
C525	O3	TP504	J5
C526	N3	TP505	J5
C529	N3	TP506	L5
C531	O3	TP507	E10
C532	O3	TP508	E10
C533	O3	TP509	E10
C534	M8	TP510	E10
C536	O7	TP511	E10
D.GND	B11	TP512	E10
IC501	F7	TP513	F10
IC502	F10	TP514	F10
IC503	I10	TP515	F10
IC504	H3	TP516	F10
IC505	L10	TP517	F10
IC506	K6	TP518	F10
L501	E8	TP519	F10
L502	D4	TP520	F10
L503	D4	TP521	F10
L505	I5	TP522	G10
L506	D10	TP523	G11
L507	K9	TP524	G11
P5502	P10	TP525	D10
P5901	P7	TP526	D9
R501	D10	TP527	E9
R504	G11	TP528	E9
R507	J5	TP529	E9
R508	J5	TP530	E9
R510	I3	TP531	E9
R511	I3	TP532	E9
R512	E4	TP533	E9
R513	E4	TP534	E9
R514	G4	TP535	F9
R517	N6	TP536	F9
R519	N5	TP537	F9
R524	I6	TP538	F9
R525	I6	TP539	F9
R535	N3	TP540	G9
R536	N3	TP541	G9
R537	N3	TP542	G9
R546	O10	TP543	G9
R547	O10	TP544	G9
R548	O10	TP545	D11
R549	O9	TP546	G10
R550	O9	TP547	D5
R551	O9	TP548	D6
R552	O9	TP549	G10
R553	O9	ZD501	F4
R554	O9		

'01.02.12 R10672A  
D'SCHEMATIC MICOM & EXPANDER  
NAD

# 7. DIGITRON(TIMER) & KEY CIRCUIT DIAGRAM

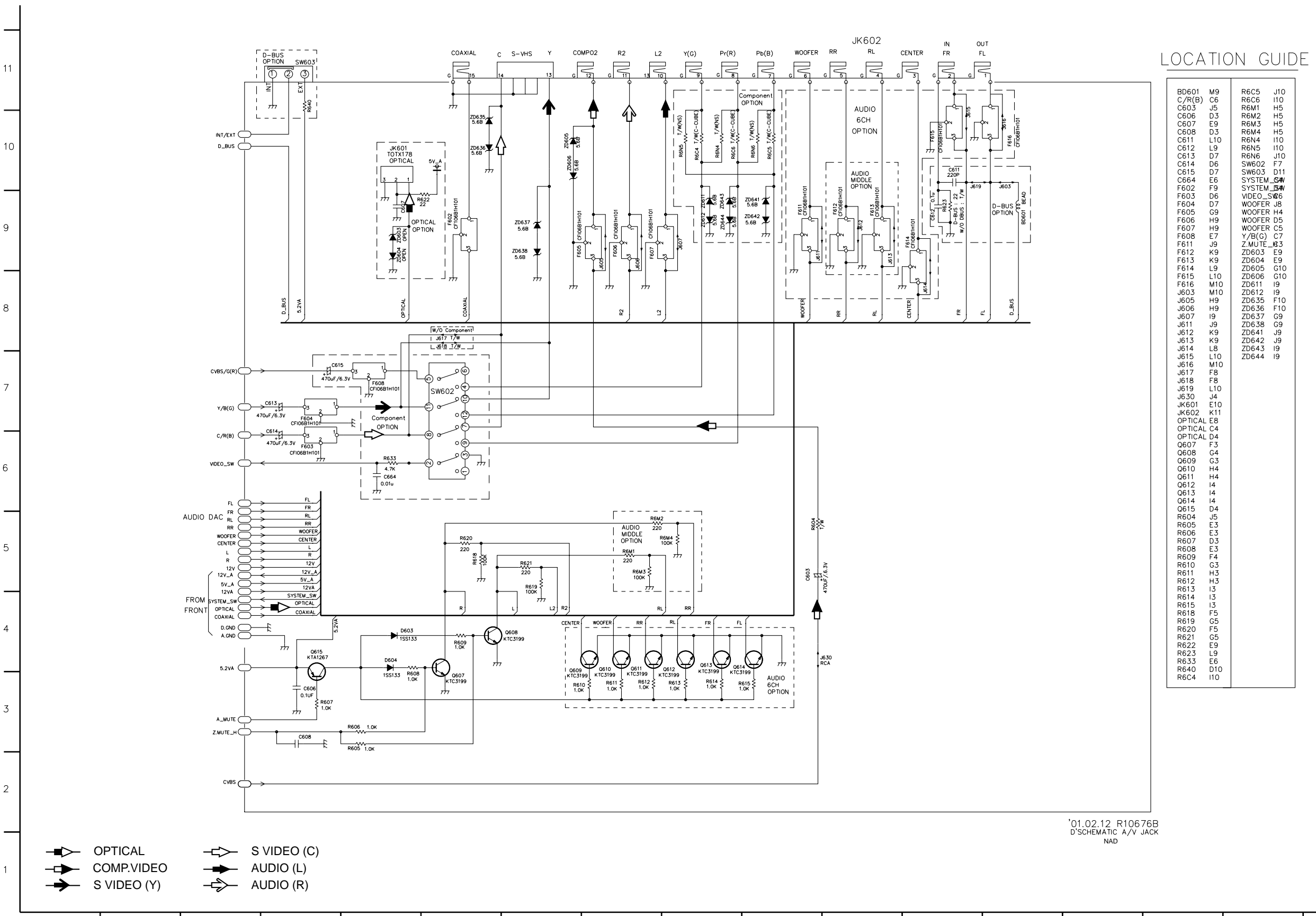


# 8. SCART CIRCUI T DIAGRAM



'01.09.10 R10676A  
D'SCHEMATIC A/V JACK  
NAD

# 9. JACK CIRCUIT DIAGRAM



## LOCATION GUIDE

BD601	M9	R6C5	J10
C/R(B)	C6	R6C6	I10
C603	J5	R6M1	H5
C606	D3	R6M2	H5
C607	E9	R6M3	H5
C608	D3	R6M4	H5
C611	L10	R6N4	I10
C612	9	R6N5	I10
C613	D7	R6N6	J10
C614	D6	SW602	F7
C615	D7	SW603	D11
C664	E6	SYSTEM_SW	
F602	F9	SYSTEM_SW	
F603	D6	VIDEO_SW	
F604	D7	WOOFER_J8	
F605	G9	WOOFER_H4	
F606	H9	WOOFER_D5	
F607	H9	WOOFER_C5	
F608	E7	Y/B(G)	C7
F611	J9	Z.MUTE_R3	
F612	K9	ZD603	E9
F613	K9	ZD604	E9
F614	L9	ZD605	G10
F615	L10	ZD606	G10
F616	M10	ZD611	I9
J603	M10	ZD612	I9
J605	H9	ZD635	F10
J606	H9	ZD636	F10
J607	I9	ZD637	G9
J611	J9	ZD638	G9
J612	K9	ZD641	J9
J613	K9	ZD642	J9
J614	L8	ZD643	I9
J615	L10	ZD644	I9
J616	M10		
J617	F8		
J618	F8		
J619	L10		
J630	J4		
JK601	E10		
JK602	K11		
OPTICAL_E8			
OPTICAL_C4			
OPTICAL_D4			
O607	F3		
O608	G4		
O609	G3		
O610	H4		
O611	H4		
O612	I4		
O613	I4		
O614	I4		
O615	D4		
R604	J5		
R605	E3		
R606	E3		
R607	D3		
R608	E3		
R609	F4		
R610	G3		
R611	H3		
R612	H3		
R613	I3		
R614	I3		
R615	I3		
R618	F5		
R619	G5		
R620	F5		
R621	G5		
R622	E9		
R623	L9		
R633	E6		
R640	D10		
R6C4	I10		

'01.02.12 R10676B  
D'SCHEMATIC A/V JACK  
NAD

- OPTICAL
- COMP.VIDEO
- S VIDEO (Y)
- S VIDEO (C)
- AUDIO (L)
- AUDIO (R)

• CIRCUIT VOLTAGE CHART

MODE PIN NO.	EE	PLAY
<b>D S P</b>		
<b>IC201 SP3301</b>		
1	2.00	1.30
2	2.00	1.30
3	2.00	1.30
4	2.00	1.30
5	2.00	1.30
6	2.00	1.30
7	2.00	1.30
8	2.00	1.30
9	2.00	1.30
10	2.00	1.30
11	2.00	1.30
12	2.00	1.30
13	2.00	1.30
14	2.00	1.30
15	2.00	1.30
16	2.00	1.30
17	0.00	0.00
18	0.00	1.50
19	0.00	1.50
20	0.00	1.50
21	0.00	1.50
22	3.10	3.00
23	0.00	1.50
24	0.00	1.50
25	0.00	1.50
26	0.00	1.50
27	0.00	1.50
28	2.10	1.50
29	0.00	0.00
30	2.10	2.00
31	3.10	3.00
32	3.10	1.50
33	3.10	2.50
34	3.10	2.50
35	2.10	1.30
36	1.10	1.80
37	0.00	0.00
38	0.00	0.00
39	0.00	0.00
40	3.10	3.00
41	0.00	0.00
42	3.10	3.00
43	0.00	0.00
44	0.00	0.00
45	3.10	3.00
46	0.00	0.00
47	0.00	0.00
48	0.00	0.00
49	0.00	3.00
50	0.00	0.00
51	0.00	0.00
52	3.10	1.80
53	0.00	0.00

MODE PIN NO.	EE	PLAY
54	3.10	3.00
55	3.10	3.00
56	0.00	0.00
57	0.00	3.13
58	5.00	4.98
59	0.00	0.00
60	0.00	0.00
61	5.00	4.98
62	0.00	0.00
63	2.10	2.10
64	0.00	0.00
65	3.10	3.00
66	0.00	0.00
67	3.10	3.12
68	0.00	0.00
69	0.00	0.20
70	0.00	0.00
71	3.10	3.10
72	0.00	0.20
73	0.00	0.00
74	3.10	3.10
75	0.00	0.00
76	0.00	0.00
77	0.00	0.00
78	0.00	2.30
79	3.10	3.10
80	5.00	5.00
81	0.00	0.00
82	5.00	5.00
83	2.10	2.00
84	2.10	2.10
85	3.10	3.10
86	1.40	1.40
87	0.00	0.00
88	2.10	2.00
89	2.10	2.00
90	0.00	0.00
91	1.50	1.55
92	3.10	3.12
93	1.60	1.55
94	1.10	1.11
95	2.00	2.00
96	1.55	1.55
97	0.00	0.00
98	1.55	1.55
99	1.56	2.15
100	3.10	3.10
101	1.55	1.58
102	1.55	1.55
103	1.62	1.64
104	1.55	1.55
105	1.50	1.50
106	0.00	0.00
107	0.00	0.00
108	0.00	0.00

MODE PIN NO.	EE	PLAY
109	0.00	0.00
110	0.00	0.00
111	0.00	0.00
112	0.00	0.00
113	3.40	4.70
114	5.00	5.00
115	1.50	1.50
116	1.50	1.53
117	3.10	3.10
118	0.00	0.00
119	0.00	0.00
120	3.50	4.20
121	3.25	4.20
122	3.45	4.30
123	3.50	4.30
124	3.50	4.30
125	3.50	4.50
126	0.00	0.00
127	3.60	2.60
128	0.00	0.00
129	3.60	2.60
130	0.00	0.20
131	0.00	0.00
132	0.00	3.10
133	3.10	3.10
134	0.00	0.00
135	0.00	0.00
136	3.10	2.20
137	0.00	0.00
138	0.00	0.00
139	3.10	3.10
140	3.00	3.10
141	0.00	0.00
142	3.00	3.00
143	3.10	3.10
144	3.10	3.10
145	3.10	0.90
146	3.50	4.50
147	0.00	0.00
148	0.00	0.00
149	0.00	0.00
150	0.00	0.00
151	0.00	0.00
152	0.00	0.00
153	0.00	0.00
154	0.00	0.00
155	1.55	1.55
156	3.10	3.10
157	1.50	1.50
158	0.00	0.00
159	0.00	0.00
160	2.60	2.60
161	3.10	3.10
162	2.00	2.00
163	2.00	2.00

MODE PIN NO.	EE	PLAY
164	1.40	1.40
165	3.20	0.00
166	1.60	1.75
167	0.00	0.00
168	0.00	3.10
169	0.00	3.10
170	5.00	2.50
171	0.00	2.50
172	3.10	0.00
173	3.10	3.10
174	3.10	3.10
175	3.10	3.10
176	2.53	1.30
177	4.24	4.97
178	5.00	5.00
179	2.70	0.20
180	3.26	2.30
181	3.10	2.50
182	2.40	2.50
183	3.66	2.80
184	2.40	2.50
185	0.00	0.00
186	2.26	2.00
187	3.10	3.10
188	2.20	2.40
189	1.75	1.90
190	2.20	1.80
191	1.80	1.80
192	2.20	2.20
193	1.25	1.30
194	1.00	1.10
195	5.00	5.00
196	0.00	2.25
197	0.00	1.60
198	0.00	1.50
199	0.00	1.50
200	0.00	1.50
201	0.00	1.50
202	0.00	1.50
203	0.00	1.50
204	0.00	1.50
205	3.10	2.60
206	1.50	1.50
207	3.10	3.10
<b>IC205 GM71C4260CJ</b>		
1	3.16	3.18
2	2.01	2.07
3	2.01	2.07
4	2.02	2.07
5	2.02	2.07
6	3.16	3.18
7	2.02	2.08
8	2.02	2.07
9	2.02	2.07

MODE PIN NO.	EE	PLAY
10	2.02	2.07
11	0.10	0.00
12	0.26	0.00
13	2.08	2.09
14	3.16	3.17
15	0.00	0.00
16	0.00	0.00
17	0.00	0.00
18	0.00	0.00
19	0.00	0.00
20	3.15	3.18
21	0.00	0.00
22	0.00	0.00
23	0.00	0.00
24	0.00	0.00
25	0.00	0.00
26	0.00	0.00
27	1.06	1.07
28	3.14	3.17
29	3.14	3.16
30	0.00	0.00
31	2.01	2.08
32	2.02	2.08
33	2.02	2.08
34	2.02	2.08
35	0.00	0.00
36	2.02	2.08
37	2.02	2.08
38	2.02	2.08
39	2.02	2.08
40	0.00	0.00
<b>IC204 4W53FU</b>		
1	1.50	1.50
2	0.00	0.00
3	0.00	0.00
4	0.00	0.00
5	3.10	3.10
6	1.50	1.50
7	2.72	2.60
8	5.00	5.00
<b>IC206 7W04FU</b>		
1	2.60	2.60
2	2.80	2.70
3	2.80	2.70
4	0.00	0.00
5	2.10	2.10
6	2.20	2.20
7	2.20	2.20
8	5.00	5.00
<b>IC203 NJM3414AM</b>		
1	2.00	2.00
2	2.00	2.00
3	2.00	2.00
4	0.00	0.00
5	1.10	1.10

MODE PIN NO.	EE	PLAY
6	1.10	1.10
7	1.10	1.10
8	5.00	5.00
<b>S E R V O</b>		
<b>IC2M1 FAN8727</b>		
1	5.02	0.80
2	5.01	2.48
3	2.08	2.07
4	2.12	1.95
5	5.01	4.98
6	0.20	0.60
7	0.00	0.00
8	7.92	7.89
9	7.92	7.87
10	0.00	3.07
11	3.87	0.00
12	0.00	0.00
13	0.00	0.00
14	0.00	5.34
15	0.00	5.33
16	0.00	5.34
17	1.84	1.84
18	1.84	1.84
19	2.12	1.95
20	7.92	7.88
21	7.92	7.88
22	2.07	2.05
23	2.07	2.05
24	2.07	2.05
25	2.06	2.05
26	4.04	4.01
27	4.04	4.01
28	4.04	4.04
29	4.04	3.98
30	0.00	0.00
31	0.00	0.00
32	4.03	4.10
33	4.01	3.90
34	7.93	7.88
35	4.02	4.01
36	4.02	4.01
37	0.00	0.00
38	0.00	0.00
39	0.00	0.00
40	7.92	7.90
41	2.07	2.06
42	0.00	0.00
43	5.01	2.90
44	5.01	2.90
45	5.01	2.90
46	5.01	2.90
47	5.01	2.90
48	5.01	2.90
<b>IC2A1 33P3721</b>		
1	3.44	3.38

MODE PIN NO.	EE	PLAY
2	3.12	3.40
3	2.50	2.50
4	2.51	2.53
5	3.50	3.44
6	3.46	3.44
7	3.47	3.45
8	3.47	3.44
9	3.48	3.44
10	3.43	3.41
11	2.52	2.70
12	2.52	2.70
13	2.52	2.60
14	2.52	2.60
15	2.56	2.70
16	2.48	2.50
17	2.98	3.30
18	0.00	0.00
19	4.50	4.58
20	0.00	0.00
21	0.00	0.20
22	4.96	3.85
23	0.00	0.00
24	4.95	4.92
25	5.00	0.00
26	2.52	2.50
27	1.55	1.55
28	4.97	4.93
29	0.00	0.40
30	2.55	2.63
31	2.51	2.56
32	4.90	4.65
33	0.00	0.20
34	0.00	2.60
35	0.00	2.50
36	1.56	2.15
37	3.58	0.00
38	2.62	3.20
39	0.00	2.60
40	2.50	2.60
41	1.55	1.60
42	1.46	1.65
43	1.58	1.64
44	2.52	2.50
45	4.92	4.97
46	4.99	5.00
47	0.00	0.00
48	0.00	0.00
49	3.59	0.00
50	0.00	0.00
51	2.35	0.00
52	2.37	2.30
53	3.51	3.47
54	3.51	3.46
55	0.61	0.00
56	1.67	2.42

MODE PIN NO.	EE	PLAY
57	2.95	2.88
58	4.98	4.93
59	3.48	3.40
60	3.48	3



MODE PIN NO.	EE	PLAY
138	0.00	0.00
139	0.54	1.00
140	3.10	3.10
141	3.10	3.10
142	0.00	0.00
143	0.00	0.00
144	0.00	0.00
145	0.67	1.40
146	3.10	3.10
147	3.10	3.10
148	0.00	0.00
149	0.00	0.00
150	0.00	0.00
151	1.00	1.00
152	3.10	3.10
153	3.10	3.10
154	0.00	0.00
155	1.30	1.30
156	3.10	3.10
157	0.00	0.00
158	3.16	3.11
159	2.23	2.21
160	3.13	3.12
161	0.00	1.50
162	0.00	1.50
163	0.00	1.50
164	0.00	1.50
165	0.00	1.50
166	0.00	0.00
167	3.12	3.12
168	0.00	1.50
169	0.00	1.50
170	0.00	1.50
171	0.00	2.62
172	0.00	1.50
173	1.54	1.50
174	0.00	0.00
175	3.12	3.11
176	0.00	0.00
177	3.12	3.12
178	0.00	0.00
179	3.12	3.10
180	3.12	3.10
181	3.12	0.00
182	0.15	0.16
183	2.32	2.30
184	2.54	2.50
185	3.12	3.12
186	3.12	3.12
187	3.12	3.12
188	0.00	0.00
189	2.50	2.44
190	3.12	3.11
191	0.00	0.00
192	3.12	3.11

MODE PIN NO.	EE	PLAY
193	3.12	3.12
194	3.12	3.12
195	3.12	3.12
196	1.05	3.12
197	0.00	1.05
198	0.00	0.00
199	1.25	1.34
200	2.17	2.10
201	1.80	1.75
202	0.00	1.90
203	1.80	1.90
204	3.12	3.10
205	0.00	0.00
206	2.20	2.38
207	2.26	2.10
208	5.00	5.00
<b>IC302 161621</b>		
1	3.15	3.10
2	0.65	1.20
3	0.70	1.20
4	0.00	0.00
5	0.92	1.10
6	0.77	1.10
7	3.13	3.15
8	0.71	0.95
9	0.90	1.30
10	0.00	0.00
11	0.86	0.90
12	1.10	1.50
13	3.16	3.10
14	0.00	0.00
15	2.97	2.90
16	1.54	1.60
17	2.35	2.70
18	3.13	3.10
19	1.23	1.00
20	0.64	0.30
21	0.64	0.70
22	1.23	1.20
23	1.42	1.40
24	1.32	1.30
25	3.13	3.10
26	0.00	0.00
27	1.47	1.40
28	1.40	1.40
29	1.16	1.40
30	0.60	1.40
31	0.60	0.90
32	0.00	0.00
33	0.00	0.00
34	3.13	3.14
35	1.54	1.50
36	0.00	0.00
37	0.30	0.00
38	3.13	3.14

MODE PIN NO.	EE	PLAY
39	0.53	1.20
40	0.56	1.20
41	0.93	0.00
42	0.00	1.20
43	0.59	1.10
44	3.14	3.14
45	0.92	1.40
46	0.84	1.50
47	0.00	0.00
48	0.87	1.40
49	0.77	1.10
50	0.00	0.00
<b>IC304 7W04FU</b>		
1	2.67	2.76
2	2.76	2.76
3	2.76	2.76
4	0.00	0.00
5	2.22	2.21
6	2.23	2.22
7	2.23	2.22
8	5.00	4.99
<b>IC305 7W04FU</b>		
1	1.56	1.56
2	2.48	2.46
3	2.56	2.55
4	0.00	0.00
5	2.47	2.46
6	2.56	2.55
7	2.56	2.55
8	5.00	4.99
<b>AUDIO</b>		
<b>IC305 7W04FU</b>		
1	1.57	1.57
2	0.00	1.56
3	1.57	1.57
4	2.22	1.22
5	1.57	1.57
6	3.05	3.82
7	3.73	4.01
8	4.99	4.89
9	5.03	5.02
10	0.00	2.44
11	3.50	2.47
12	3.20	2.40
13	1.47	2.47
14	0.00	2.09
15	4.91	4.92
16	2.00	2.48
17	2.00	4.49
18	1.49	4.96
19	0.00	0.00
20	5.02	5.02
21	0.00	5.02
22	5.00	5.53
23	0.00	0.00
24	4.90	4.89
25	1.24	5.27
26	0.00	0.00
27	4.98	3.00

MODE PIN NO.	EE	PLAY
43	0.59	1.10
44	3.14	3.14
45	0.92	1.40
46	0.84	1.50
47	0.00	0.00
48	0.87	1.40
49	0.77	1.10
50	0.00	0.00
<b>IC402 NJM4580</b>		
1	5.36	5.37
2	5.37	5.35
3	5.37	5.35
4	0.00	0.00
5	5.36	5.37
6	5.37	5.37
7	5.37	5.35
8	11.80	11.78
<b>SYSTEM</b>		
<b>IC501 HD6417034AF</b>		
1	0.00	0.00
2	3.10	3.13
3	0.00	0.00
4	2.20	1.06
5	2.20	2.22
6	1.70	1.74
7	2.20	0.97
8	1.80	1.82
9	2.20	0.95
10	1.20	0.95
11	1.00	0.94
12	0.00	0.00
13	0.00	2.06
14	0.00	1.27
15	5.00	1.94
16	0.90	1.94
17	0.70	0.92
18	0.00	1.28
19	0.00	2.06
20	0.00	2.52
21	0.00	2.13
22	0.00	0.00
23	1.20	0.99
24	2.60	2.29
25	2.70	2.52
26	1.50	1.04
27	1.80	2.98
28	2.90	2.33
29	1.80	2.80
30	1.90	1.25
31	0.00	0.00
32	0.90	1.78
33	0.80	2.28
34	2.10	3.93
35	2.20	2.72
36	0.70	0.88
37	0.70	3.77
38	0.70	0.92
39	0.70	0.97
40	0.00	0.00
41	0.70	0.50
42	2.20	1.35
43	5.00	4.97
44	0.70	0.32

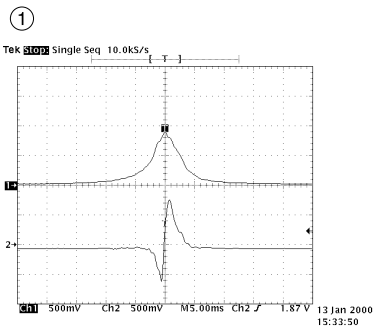
MODE PIN NO.	EE	PLAY
28	4.99	4.08
<b>IC403</b>		
1	5.03	5.03
2	0.00	0.00
3	11.84	11.85
4	12.78	12.69
<b>IC403</b>		
1	0.00	0.00
2	0.00	0.00
3	0.00	0.00
4	0.00	0.00
5	0.00	0.00
6	0.00	0.00
7	0.00	0.00
8	4.75	4.74
9	2.40	2.40
10	2.40	2.40
11	2.40	2.40
12	2.40	2.40
13	2.40	2.40
14	2.40	2.40
15	2.40	2.40
16	2.40	2.40
17	0.00	0.00
18	4.75	4.74
19	0.00	0.00
20	4.75	4.74
21	0.00	0.00
22	4.75	4.74
23	0.00	0.00
24	4.75	4.74
25	0.00	0.00
26	4.75	4.74
27	0.00	0.00
28	4.75	4.74
29	0.00	0.00
30	4.74	4.74
31	0.00	0.00
32	0.00	0.00
33	1.45	0.10
34	0.00	0.00
35	5.10	5.10
36	3.10	3.10
37	3.10	3.10
38	1.57	1.56
39	1.56	1.55
40	1.59	1.58
41	1.59	1.58
42	0.00	0.00
43	3.10	3.06
44	0.00	0.00
45	0.00	1.20
46	0.00	1.20
47	0.00	1.20
48	3.10	0.00

MODE PIN NO.	EE	PLAY
45	0.70	0.95
46	0.50	0.25
47	0.50	0.25
48	3.40	0.53
49	4.90	4.84
50	2.60	4.94
51	4.90	4.83
52	0.00	0.00
53	0.00	2.90
54	4.90	4.75
55	5.00	4.57
56	4.90	4.96
57	5.00	4.94
58	0.00	0.00
59	1.60	1.17
60	0.00	0.00
61	0.00	0.00
62	5.00	4.97
63	0.00	0.00
64	0.00	0.16
65	5.00	4.99
66	0.20	3.55
67	5.00	4.96
68	0.00	0.00
69	3.20	0.00
70	5.00	4.97
71	2.40	2.37
72	0.00	0.00
73	2.40	2.24
74	2.20	2.11
75	5.00	4.97
76	5.00	4.96
77	5.00	4.97
78	5.00	4.97
79	4.80	4.81
80	4.90	4.98
81	0.00	0.00
82	0.00	0.00
83	5.00	4.98
84	4.90	4.97
85	4.90	4.98
86	4.50	4.98
87	1.60	2.20
88	4.90	0.00
89	0.00	0.00
90	0.00	3.11
91	0.00	0.00
92	0.00	4.07
93	0.00	3.11
94	0.00	0.00
95	0.00	4.00
96	0.00	0.00
97	4.95	4.97
98	4.95	4.97
99	4.95	3.58

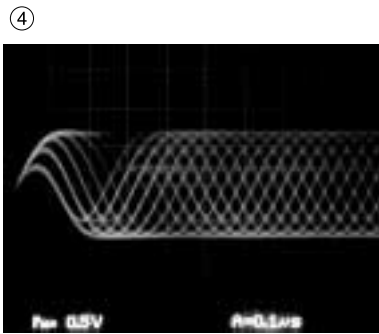
MODE PIN NO.	EE	PLAY
100	2.07	2.10
101	4.86	0.00
102	4.24	0.00
103	4.75	4.97
104	2.96	4.93
105	4.95	2.53
106	0.00	0.00
107	5.03	5.03
108	4.99	4.97
109	0.00	3.11
110	0.00	0.00
111	5.00	4.97
112	0.00	4.97
<b>IC502 FLASH ROM</b>		
1	0.50	0.90
2	0.90	1.00
3	1.00	1.20
4	3.80	2.80
5	1.00	1.50
6	0.60	2.90
7	4.00	3.70
8	2.30	2.92
9	0.20	0.20
10	0.20	5.00
11	5.00	5.00
12	5.00	4.47
13	3.70	4.40
14	0.20	0.10
15	0.20	0.20
16	0.43	0.60
17	0.30	0.40
18	1.80	2.20
19	1.20	2.09
20	2.80	2.70
21	2.40	2.51
22	3.00	2.80
23	2.60	2.50
24	2.50	2.50
25	2.30	2.30
26	0.55	0.70
27	0.00	0.00
28	1.20	1.30
29	2.26	2.12
30	2.08	2.12
31	2.20	2.22
32	1.66	1.96
33	1.75	1.88
34	1.13	1.34
35	2.19	1.89
36	1.68	1.70
37	5.00	5.00
38	1.82	1.76
39		



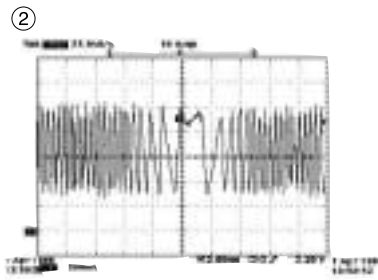
• **WAVEFORMS**  
**(Circuit 3 DRIVE & RF)**



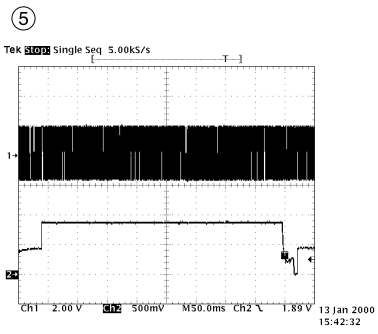
IC2A1 Pin 42, Focus Error  
 IC2A1 Pin 36, Pi



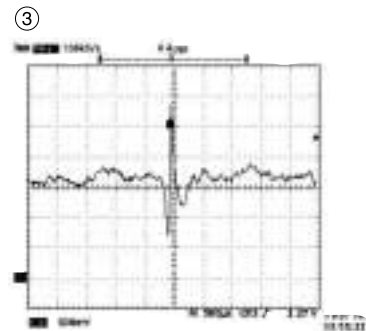
IC2A1 Pin 57,  
 RF



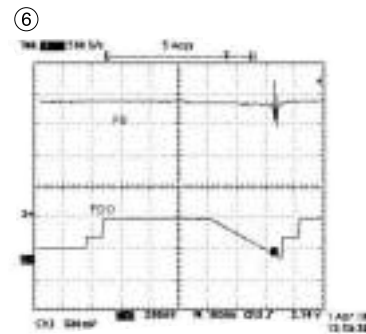
IC2A1 Pin 41  
 Tracking Error



IC201 Pin 88, SLED Drive(FMO)  
 IC201 Pin 18, SLED FG

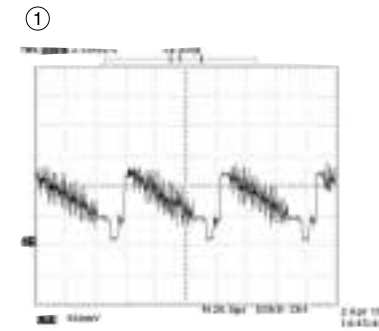


IC2A1 Pin 41  
 VBR TRACKING Error

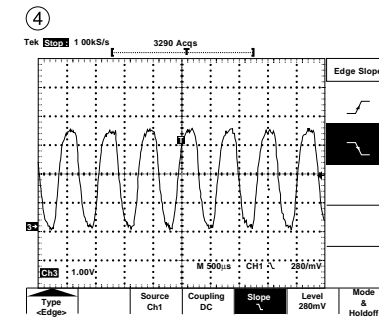


IC2A1 Pin42, Focus Error(in Focus Search)  
 IC201 Pin 83, Focus Drive(FDO)

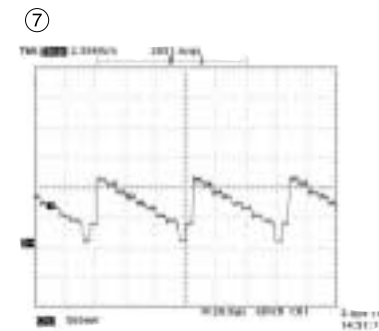
**(Circuit 4 MPEG)**



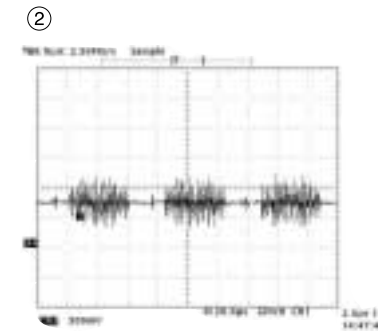
IC301 Pin 133, Composite



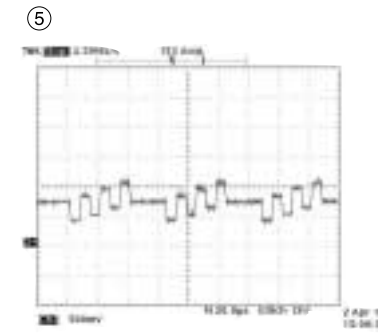
IC301 Pin 159,  
 MPEG Clock(27MHz)



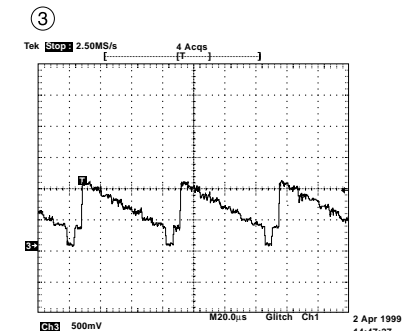
IC301 Pin 139  
 Component Y



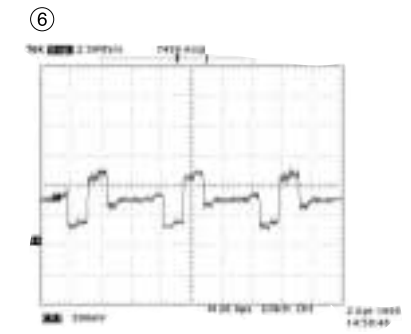
IC301 Pin 151, Chrominance  
 (Super video out Mode)



IC301 Pin 145  
 Component Pb



IC301 Pin 145, Luminance  
 (Super video out Mode)

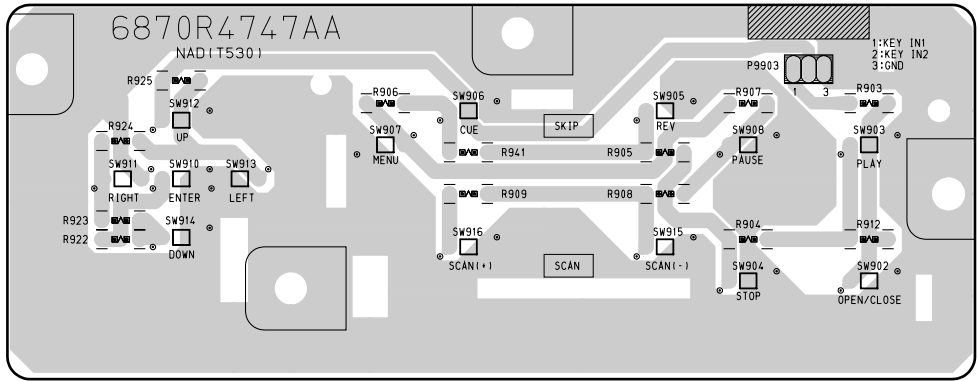


IC301 Pin 151  
 Component Pr



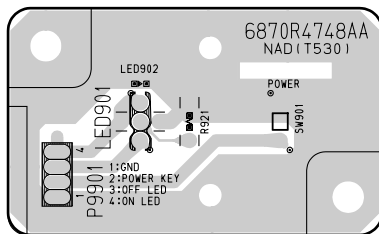


### 3. KEY P.C.BOARD



(Solder Side)

### 4. Power LED P.C.BOARD



(Solder Side)

# SECTION 4 MECHANISM

## CONTENTS

### DECK MECHANISM PARTS LOCATIONS

- Top View.....4-1
- Top View(without Tray Disc) .....4-1
- Bottom View .....4-1

### DECK MECHANISM DISASSEMBLY

1. Holder Clamp.....4-2
  - 1-1. Clamp Assembly Disc.....4-2
    - 1-1-1. Plate Clamp .....4-2
    - 1-1-2. Magnet Clamp .....4-2
    - 1-1-3. Clamp Upper.....4-2
2. Tray Disc .....4-2
3. Base Assembly Sled.....4-3
  - 3-1. Gear Assembly Feed .....4-3
  - 3-2. Gear Assembly Middle.....4-3
  - 3-3. Gear Assembly Rack .....4-3
4. Rubber Rear.....4-3

5. Frame Assembly Up/Down .....4-4
6. Belt Loading.....4-4
7. Gear Pulley .....4-4
8. Gear Loading .....4-4
9. Guide Up/Down.....4-4
10. PWB Assembly Loading.....4-4
11. Base Main.....4-4

### DECK MECHANISM ADJUSTMENT

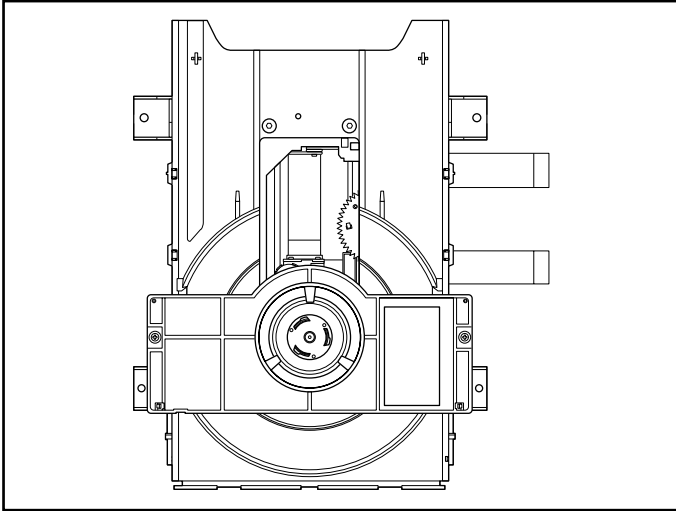
1. Tools and Fixtures for SVC .....4-5
2. Install Process .....4-5
3. Adjustment Process.....4-6

### EXPLODED VIEW

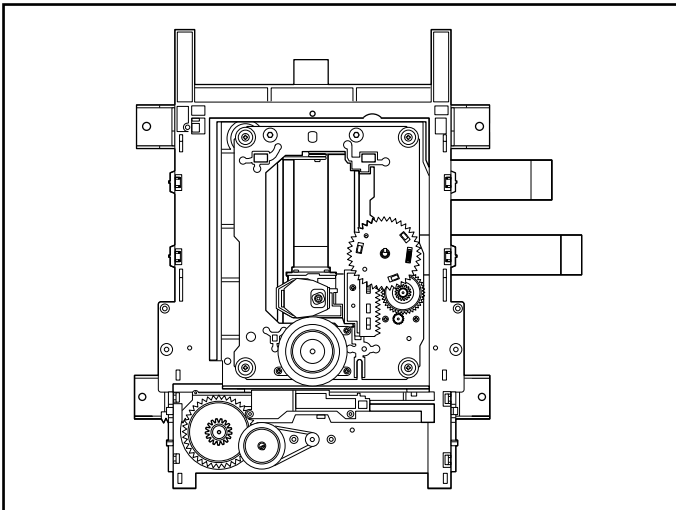
1. Deck Mechanism Exploded View....4-7

# DECK MECHANISM PARTS LOCATION

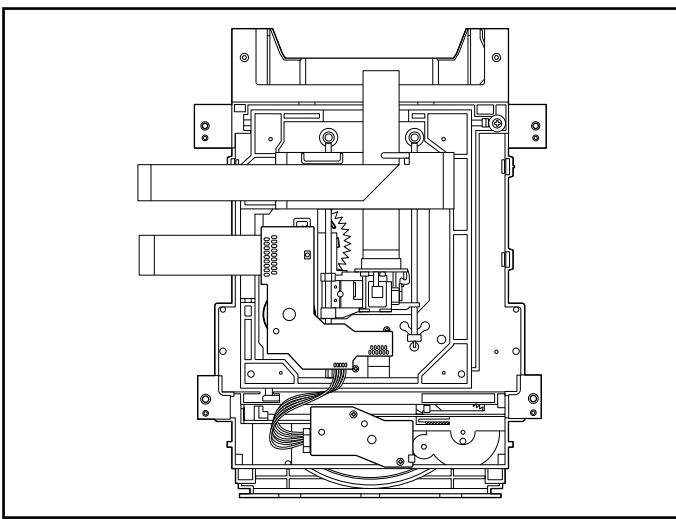
## • Top View (With Tray)



## • Top View (Without Tray)



## • Bottom View



Starting No.	Procedure		Disassembly	Figure	
	Parts	Fixing Type			
	1	Holder Clamp	2 Screws, 2 Locking Tabs		4-1
1	2	Clamp Assembly Disc			4-1
1, 2	3	Plate Clamp			4-1
1, 2, 3	4	Magnet Clamp			4-1
1, 2, 3, 4	5	Clamp Upper			4-1
1	6	Tray Disc			4-2
1, 6	7	Base Assembly Sled			4-3
1, 2, 6	8	Gear Assembly Feed	4 Screws, 1 Connector 1 Locking Tabs		4-3
1, 2, 6, 8	9	Gear Middle			4-3
1, 2, 6, 8, 9	10	Gear Assembly Rack	1 Screw		4-3
1, 2, 7	11	Rubber Rear			4-3
1, 2, 7	12	Frame Assembly Up/Down	1 Screw	Bottom	4-4
1, 2	13	Belt Loading	1 Locking Tab		4-4
1, 2, 13	14	Gear Pulley			4-4
1, 2, 13, 14	15	Gear Loading	1 Locking Tab		4-4
1, 2, 7, 12, 13, 14	16	Guide Up/Down			4-4
1, 2, 13	17	PWB Assembly Loading	1 Locking Tab 1 Hook 2Screw	Bottom	4-4
1, 2, 7, 12, 13, 14, 15, 16, 17	18	Base Main	2 Locking Tabs		4-4

### Note

When reassembling, perform the procedure in reverse order.

The "Bottom" on Disassembly column of above Table indicates the part should be disassembled at the Bottom side.



# DECK MECHANISM DISASSEMBLY

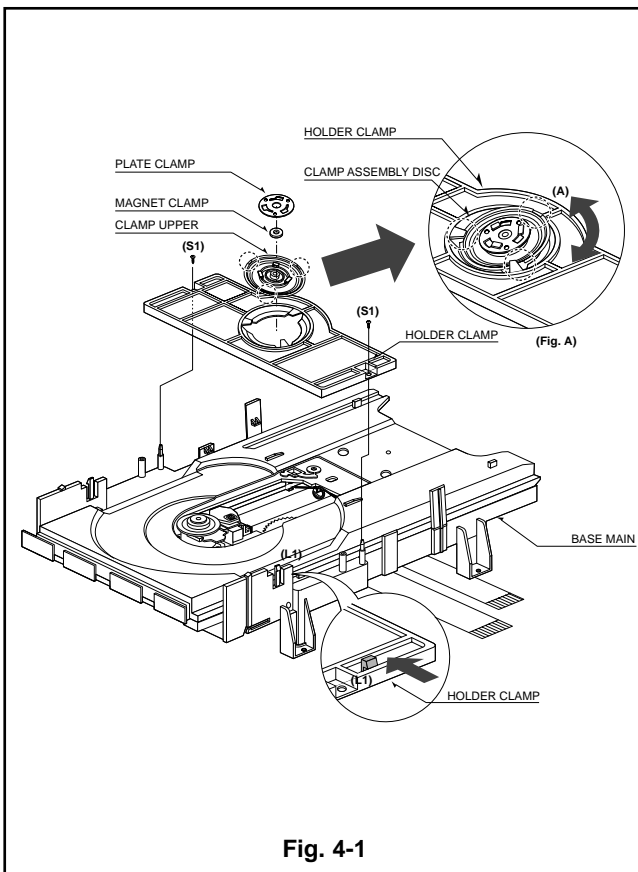


Fig. 4-1

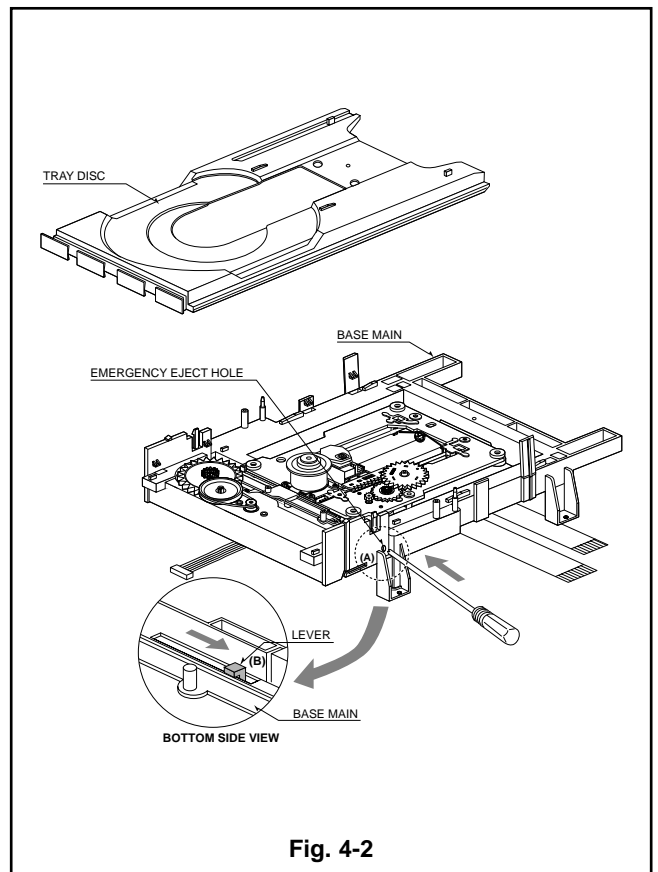


Fig. 4-2

## 1. Holder Clamp (Fig. 4-1)

- 1) Release 2 Screws(S1).
- 2) Unhook 2 Locking Tabs(L1).
- 3) Lift up the Holder Clamp and then separate it from the Base Main.

### 1-1. Clamp Assembly Disc

- 1) Place the Clamp Assembly Disc as Fig. (A)
- 2) Lift up the Clamp Assembly Disc in direction of arrow(A).
- 3) Separate the Clamp Assembly Disc from the Holder Clamp.

### 1-1-1. Plate Clamp

- 1) Turn the Plate Clamp to counterclockwise direction and then lift up the Plate Clamp.

### 1-1-2. Magnet Clamp

### 1-1-3. Clamp Upper

## 2. Tray Disc (Fig. 4-2)

- 1) Insert and push a Driver in the emergency eject hole(A) at the right side, or put the Driver on the Lever(B) of the Gear Emergency and pull the Lever(B) in direction of arrow so that the Tray Disc is ejected about 15~20mm.
- 2) Pull the Tray Disc until it is separated from the Base Main completely.

# DECK MECHANISM DISASSEMBLY

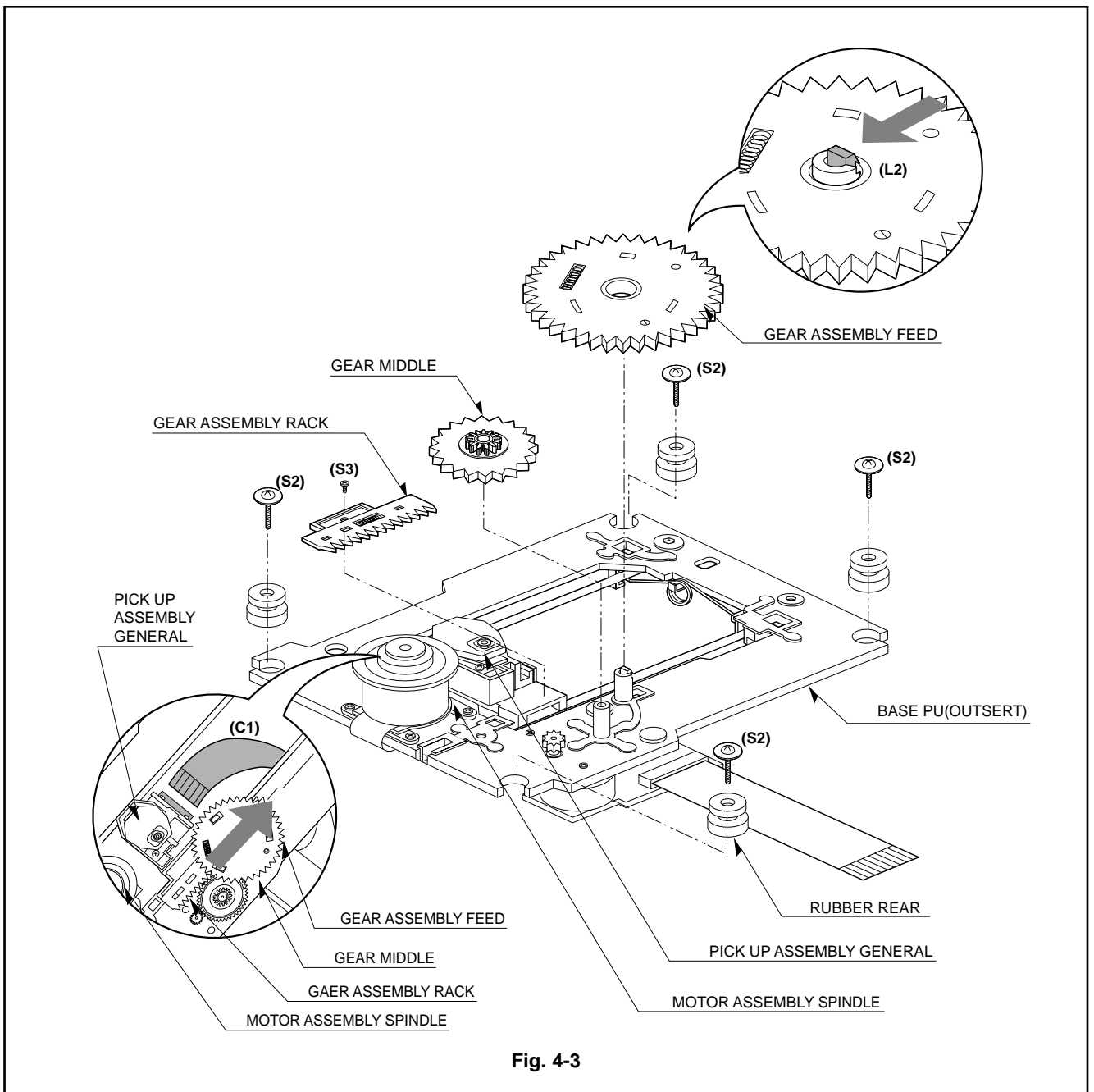


Fig. 4-3

### 3. Base Assembly Sled (Fig. 4-3)

- 1) Release 4 Screw(S2).
- 2) Disconnect the FFC Connector(C1)

#### 3-1. Gear Assembly Feed

- 1) Unhook the Locking Tab(L2) in direction of arrow.

#### 3-2. Gear Middle

#### 3-3. Gear Assembly Rack

- 1) Release the Scerw(S3)

### 4. Rubber Rear (Fig. 4-3)

# DECK MECHANISM DISASSEMBLY

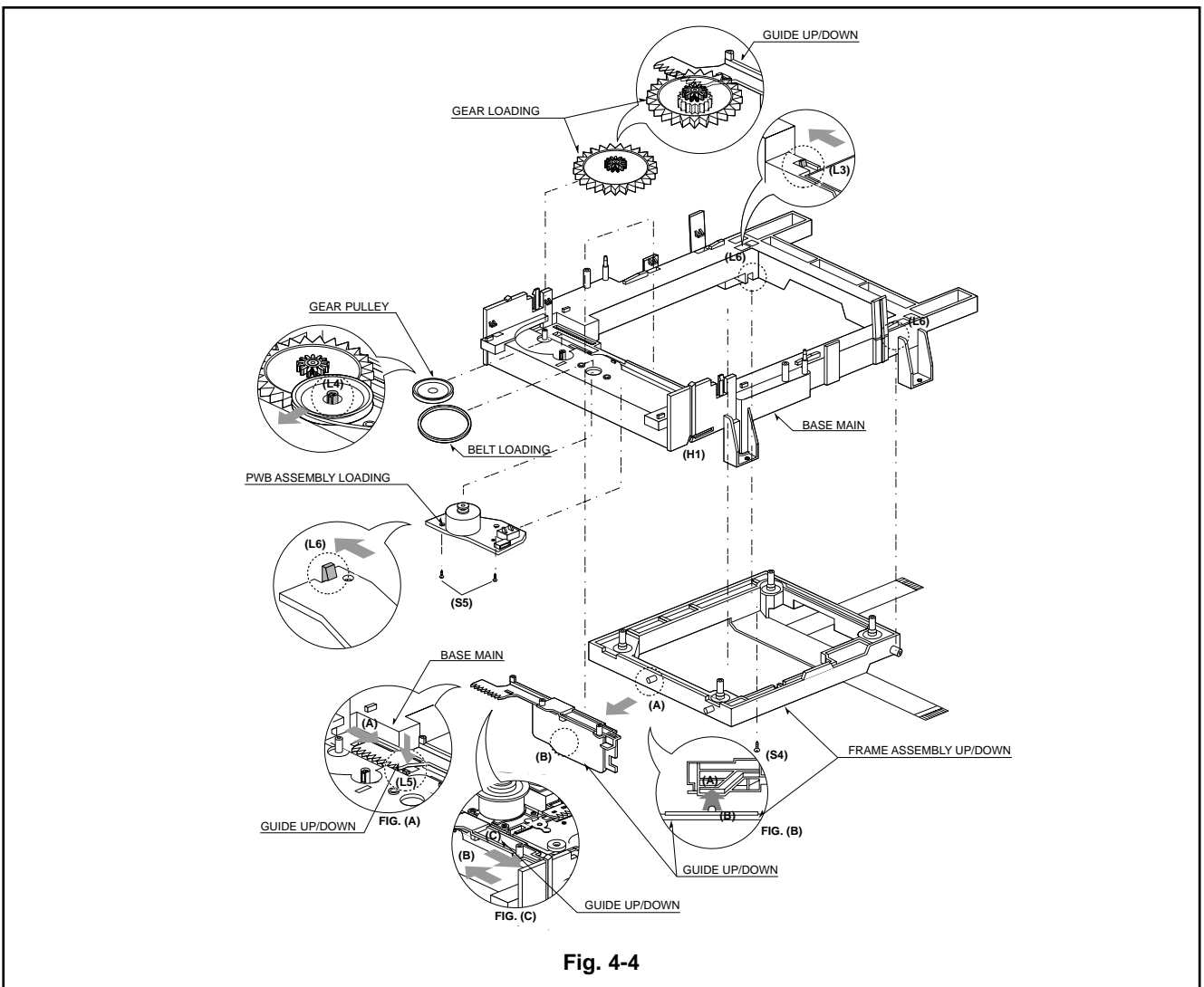


Fig. 4-4

## 5. Frame Assembly Up/Down

### Note

Put the Base Main face down(Bottom Side)

- 1) Release the Screw(S4)
- 2) Unlock the Locking Tab(L3) in direction of arrow and then lift up the Frame Assembly Up/Down to separate it from the Base Main.

### Note

- When reassembling move the Guide Up/Down in direction of arrow(C) until it is positioned as Fig.(C).
- When reassembling insert (A) portion of the Frame Assembly Up/Down in the (B) portion of the Guide Up/Down as Fig.(B)

## 6. Belt Loading(Fig. 4-4)

### Note

Put the Base Assembly Main on original position(Top Side)

## 7. Gear pulley (Fig. 4-4)

- 1) Unlock the Locking Tab(L4) in direction of arrow(B) and then separate the Gear Pulley from the Base Main.

## 8. Gear Loading (Fig. 4-4)

## 9. Guide Up/Down (Fig. 4-4)

- 1) Move the Guide Up/Down in direction of arrow(A) as Fig.(A)
- 2) Push the Locking Tab(L5) down and then lift up the Guide Up/Down to separate it from the Base Main.

### Note

When reassembling place the Guide Up/Down as Fig.(C) and move it in direction arrow(B) until it is locked by the Locking Tab(L5). And confirm the Guide Up/Down as Fig.(A)

## 10. PWB Assembly Loading

### Note

Put the Base Main face down(Bottom Side)

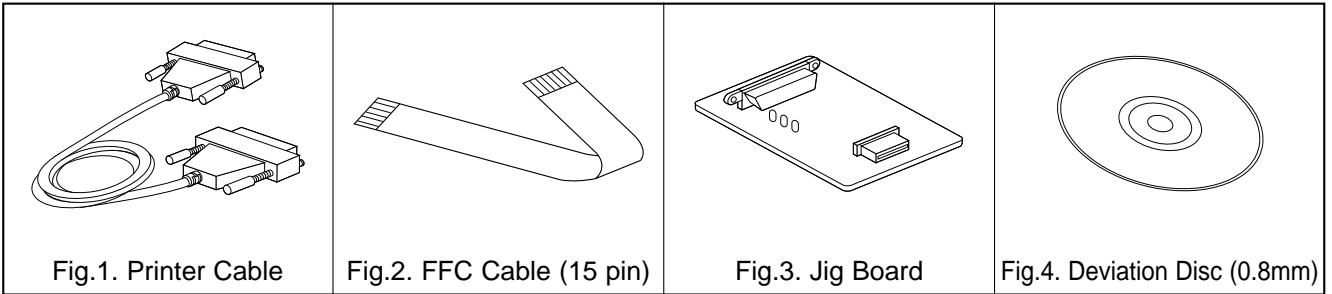
- 1) Release 2 Screws(S5)
- 2) Unhook the Loading Motor Connector (C2) from the Hook (H1) on the Base Main.
- 3) Unlock 2 Locking Tabs(L6) and separate the PWB Assembly Loading from the Base Main.

## 11. Base Main(Fig. 4-4)

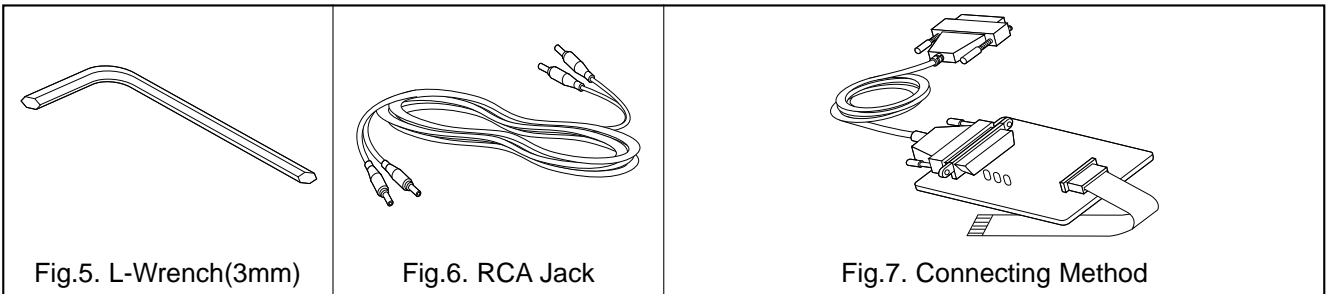
# DECK MECHANISM ADJUSTMENT

## 1. Tools and Fixtures for SVC

• For SVC Program Down-Load

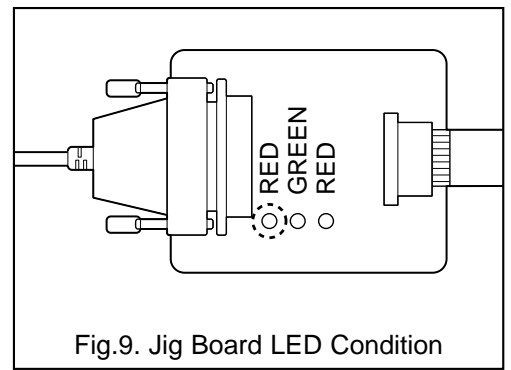
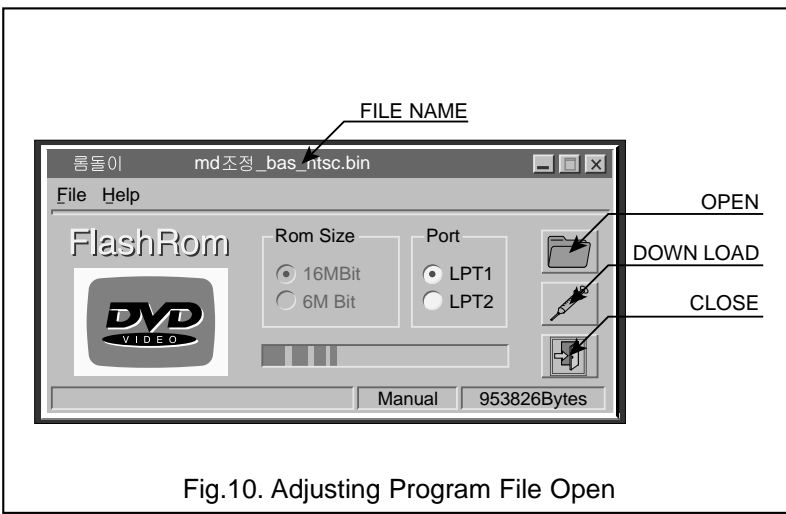
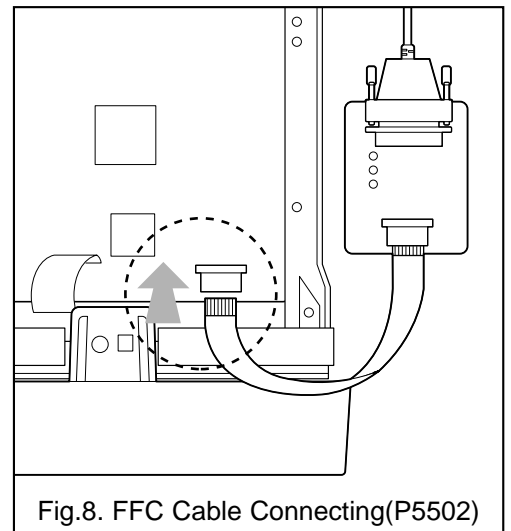


• For T-Skew and R-Skew Adjustment



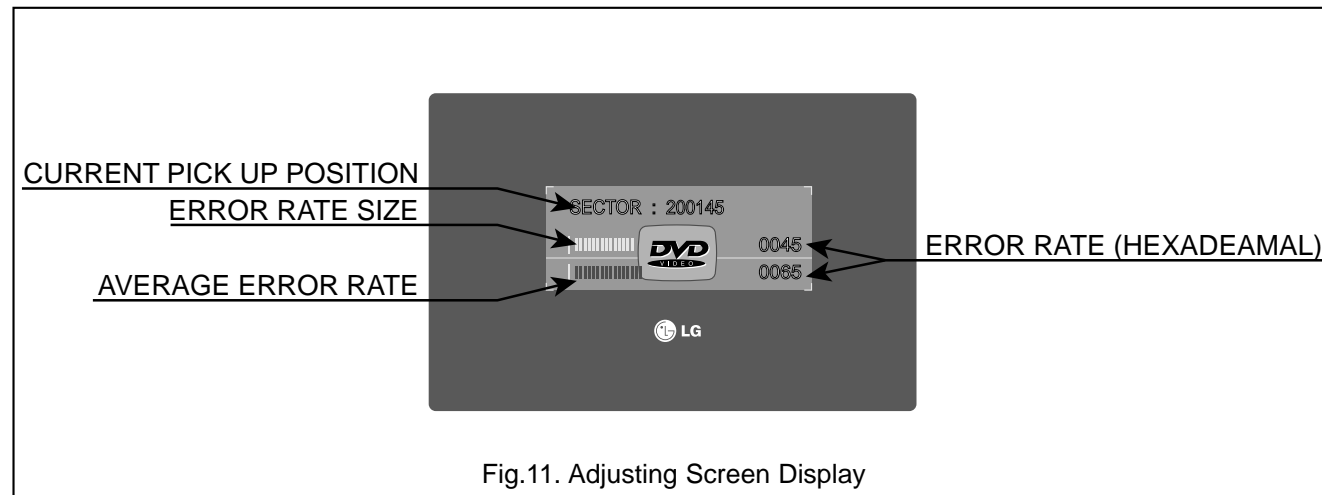
## 2. Install Process

1. Connect Fig. 1, 2, 3 as Fig. 7.
2. Plug out the Power cord of DVD set.
3. Connect FFC Cable(Fig.2) to the Connector on DVD Set(Fig.8)
4. Connect Printer Cable(Fig.1) to the P.C.Printer Port (LPT1).
5. Plug in the DVD Power cord.
6. Press the Menu key on Remocon.
7. Confirm No.1 LED(RED Color) of Jig board is ON. (Fig.9)
8. Perform The S/W for Down-load at P.C.
9. Open the Program File for Adjusting(Fig.10)
10. Click the Down-load Icon and perform Program Down-load.
11. Displayed remaining time.
12. Confirm LED No.1(RED) and No.2(GREEN) is ON.
13. Plug out the DVD Set Power cord.
14. Disconnect the FFC Cable.



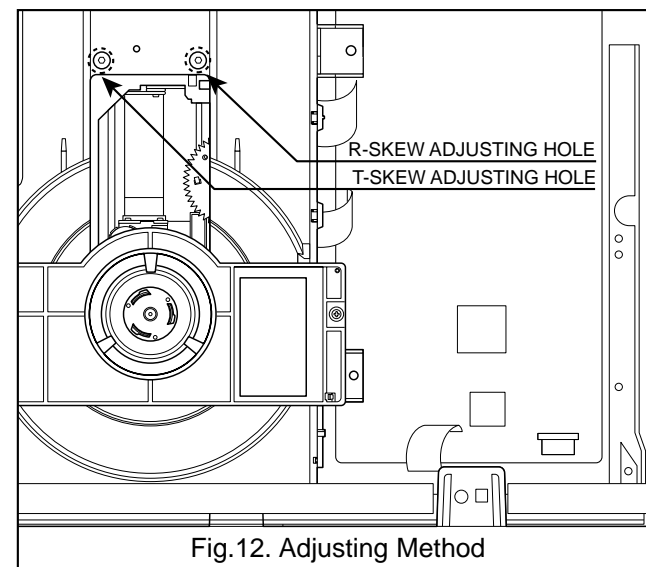
# DECK MECHANISM ADJUSTMENT

# MEMO



### 3. Adjustment Procedure

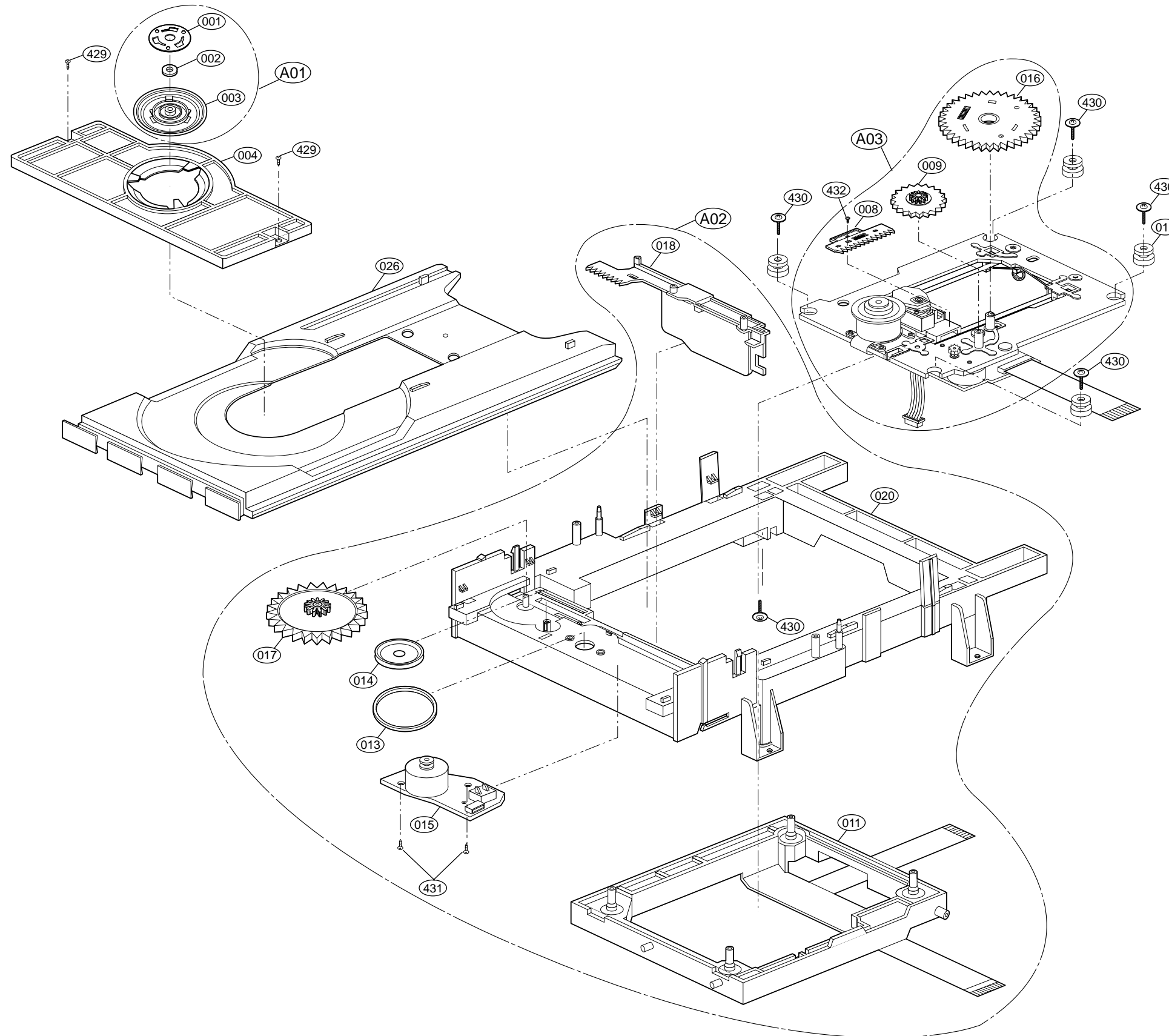
1. Insert Disc(Only Open/Close Key Pressing)
  2. Wait Until the Sector Display is about 200,000 (Fig.11)
  3. Adjust R-Skew adjusting Point until the Error rate has Minimum rate with L-wrench (3mm).
  4. Adjust T-Skew Adjusting Point until the Error rate has Minimum rate.
  5. Repeat No. 3, 4 adjusting procedure until the Error rate have Minimum rate.
  6. Error rate; SVC-3561 Disc=below 30 and TDV-533 Disc=below 100. If not, Please confirm Play ability on screen.
- # You can watch the screen when pressing the Stop key after the Adjusting is finished, Then perform Play and Scan/Skip operation at Chapter1 and Chapter16 and confirm screen condition, normal or abnormal.
- Please obtain these software for Adjusting through our Global Cyber Service Center(GCSC).
  - The location is <http://biz.lgservice.com>
    - & Web Site for End users
    - & Software updates
    - & Product : DVD Player
    - & Search.



A series of horizontal dashed lines for taking notes.

# EXPLODED VIEWS

## 1. Deck Mechanism Exploded View



**SECTION 5 REPLACEMENT PARTS LIST**  
**MODEL : A:T531B , B:T531C , C:T531AH (NAD)**

RUN DATE : 01.11.07

**. Mechanical Section**

NSP : Not Service Part

S	AL	LOCA.NO	PART NO(LG)	A	B	C	DESCRIPTION	SPECIFICATION	REMARKS
<b>ASSEMBLY SECTION</b>									
		A00	6721R-0322A	O	O	O	DECK ASSY,VIDEO	DP4 (MITSUMI 2LD, BLDC)	NSP
		A01	4861R-0013A	O	O	O	CLAMP ASSY	DISC (DP4)	
		A02	3041R-0030A	O	O	O	BASE ASSY	MAIN(DP-4RM,BLDC)	
		A03	3041R-0029A	O	O	O	BASE ASSY	SLED (DP-4RM,BLDC)	
<b>PARTS SECTION</b>									
		001	3300R-0547A	O	O	O	PLATE	CLAMP	NSP
		002	5016H-1016B	O	O	O	MAGNET	CLAMP(LDM-R608,10*5,1*1.5T)	NSP
		003	4860R-0013A	O	O	O	CLAMP	UPPER	NSP
		004	4930R-0171A	O	O	O	HOLDER	CLAMP	
		008	4470R-0047A	O	O	O	GEAR	ASSY RACK	
		009	4470R-0053A	O	O	O	GEAR	MIDDLE	
		011	3211R-0021B	O	O	O	FRAME ASSY	UP/DOWN(DP2)	
		012	5040R-0047B	O	O	O	RUBBER	DAMPER(E2,5040H-1054A),CHUNPOO	
		013	4400R-0006A	O	O	O	BELT	LOADING	
		014	4470R-0055A	O	O	O	GEAR	PULLEY	
		015	6871R-4415A	O	O	O	PWB(PCB) ASSY,TOTAL	LOADING DP4	
		016	4470R-0050A	O	O	O	GEAR	ASSY FEED	
		017	4470R-0056A	O	O	O	GEAR	LOADING	
		018	4974R-0023A	O	O	O	GUIDE	UP/DOWN	
		020	3040R-0024A	O	O	O	BASE	MAIN	NSP
		026	3390R-0005A	O	O	O	TRAY	DISC	
<b>SCREW</b>									
		429	1SZZR-0012A	O	O	O	SCREW,	B-TITE	
		430	1SZZH-1003A	O	O	O	SCREW,	+D2.0 6MM SWRCH16A/NIY 4.5MM	
		431	1SZZH-1007B	O	O	O	SCREW,DRAWING	+D2.0 6MM SWRCH16A/ZNBK 4MM 1	
		432	1SZZR-0011A	O	O	O	SCREW,	MACHINE	
<b>. Cabinet &amp; Main Frame Section</b>									
<b>ASSEMBLY SECTION</b>									
		A43	3501R-4001A			O	BOARD ASSEMBLY	FRONT(DVN4021N)	
		A43	3501R-4001B			O	BOARD ASSEMBLY	FRONT(DVN4021E)	
		A43	3501R-4001C	O			BOARD ASSEMBLY	FRONT(DVN4021P)	
		A46	6871R-3405C	O	O	O	PWB(PCB) ASSY,TOTAL	DV4951E C-CUBE EVNT MAIN	
		A48	6871R-3457H			O	PWB(PCB) ASSEMBLY,TOTAL	DVN4021N PT I/O (NAD)	
		A48	6871R-3457J			O	PWB(PCB) ASSEMBLY,TOTAL	DV4021E PT I/O (NAD)	
		A48	6871R-3457N	O			PWB(PCB) ASSEMBLY,TOTAL	DVN4021P AA3SNN NAD	
<b>PARTS SECTION</b>									
		250	3110R-0184P	O	O	O	CASE	TOP(MITSUBISHI VCM 0.65T K858,E)	
		260	3141R-0047J			O	CHASSIS ASSY	MAIN (NAD- #1)	NSP
		260	3141R-0047K			O	CHASSIS ASSY	MAIN (NAD-#2)	NSP
		260	3141R-0047L	O			CHASSIS ASSEMBLY	MAIN (NAD-#4)	NSP
		275	4930R-0183A	O	O	O	HOLDER	MAIN PCB	
		280	3721R-F229A			O	PANEL ASSY,FRONT	FRONT (T531)NAD	NSP
		280	3721R-F229B			O	PANEL ASSY,FRONT	FRONT (T531)NAD	NSP
		280	3721R-F229C	O			PANEL ASSEMBLY,FRONT	FRONT (T531)NAD	NSP
		283	3580R-T042A	O	O	O	DOOR,CASE	TRAY (T531)NAD	
		285	3301R-M020A	O	O	O	PLATE ASSEMBLY	SHIELD(T530 NAD)	
		300	6410RAHS02A			O	POWER CORD	AP-10W NI SP2 CORE 80 STP SANG	
		300	6410RCHS02D	O	O		POWER CORD	EP11 LTFZ-2F 2*0.75 EMI OR SAN	
		332	3300R-M018A	O	O	O	PLATE	MAIN GND(DVD-3000 SUS-0.2T)	
<b>SCREW</b>									
		452	353-051A	O	O	O	SCREW	SPECIAL	
		462	353-085E	O	O	O	SCREW,DRAWING	+ 3 D4.0 L10.0 MSWR3/FZMCW-2	
		463	353-051G	O	O	O	SCREW,DRAWING	+ 2 D3.0 L8.0 MSWR3/FN TB ROUN	
		465	353-046K	O			SCREW	SPECIAL (3X10 B.K)	
		465	353-046K			O	SCREW	SPECIAL (3X10 B.K)	
		467	353-046N	O	O	O	SCREW,	SPECIAL(3X8 BK.)	

S	AL	LOCA.NO	PART NO(LG)	A	B	C	DESCRIPTION	SPECIFICATION	REMARKS
<b>. Packing Accessory Section</b>									
		801	3835RS0023F			O	INSTRUCTION ASSEMBLY	DVN4021N AA1UNN	
		801	3835RS0023Z	O			INSTRUCTION ASSEMBLY	DVN4021P AA3NN	
		801	3835RS0026P			O	INSTRUCTION ASSEMBLY	DVN4021E AA2DNN_NEW	
		802	3890R-H762P			O	BOX	DVN4021N AA1UNN SW3-A 0.952 1	
		802	3890R-H762Q			O	BOX	DVN4021E AA2DNN SW3-A 0.952 1	
		802	3890R-H763Z	O			BOX	DVN4021P AA3SNN SW3-A 0.952 1	
		803	3920R-E037A	O	O	O	PACKING,CASING	DVN4021N(NAD) 0.02 85 EPS 10 9	
		804	3858R-S001A	O	O	O	SHEET (MECH)	LDPE 600M 630MM 0.5 VCR_DVD	NSP
		808	534-008C	O	O	O	BATTERY	AAAM(R03) 1.5V 1PAIR(LOCAL)	
		811	6611R1G001A	O	O	O	PLUG ASSY	1WAY YELLOW GLOBAL	
		812	6611R2G001A	O	O	O	PLUG ASSY	2WAY RED/WHITE GLOBAL	
<b>. Remote Control Section</b>									
		900	6711R2N010W	O	O	O	REMOTE CONTROLLER ASSY	D1 NOR DVN4021N NAD	



## . Electrical Section

NSP : Not Service Part

S	AL	LOCA.NO	PART NO(LG)	A	B	C	DESCRIPTION	SPECIFICATION	REMARKS
<b>CAPACITOR</b>									
			C100	0CE1064K638	O	O	CAPACITOR, FIXED ELECTROLYTIC	10M SRA 50V M FM5 TP(5)	
			C101	624-088L	O	O	CAPACITOR, DRAWING	435D SUNIL ELECTRONICS 0.1UF/2	
			C102	624-088L	O	O	CAPACITOR, DRAWING	435D SUNIL ELECTRONICS 0.1UF/2	
			C103	0CE1076Q600		O	CAPACITOR, ELECTROLYTIC	100UF SMS 200V M W BULK	
			C103	0CE686CU611	O	O	CAPACITOR, AL, ELECTROLYTIC	68UF SHL, SD 400V M FL BK7.5	
			C104	0CN223AK948	O	O	CAPACITOR, TUBULAR(HIGH DIELEC)	0.022UF 50V Z F TA26 S	
			C105	0CQ1031Y519	O	O	CAPACITOR, POLYESTER	0.01UF D 630V K PE NI TP	
			C106	624-087B	O	O	CAPACITOR	HIGH-VOL 100P/1KV SMPS SAMHWA	
			C109	0CQ4732K409	O	O	CAPACITOR, FIXED FILM	0.047UF S 50V J PE TP	
			C110	0CQ4722K409		O	CAPACITOR, POLYESTER	0.0047U S 50V J TS TP	
			C111	0CE3354K638		O	CAPACITOR, FIXED ELECTROLYTIC	3.3UF SRA, SS 50V 20% FM5 TP 5	
			C112	0CQ1532K409		O	CAPACITOR, FIXED FILM	0.015UF S 50V J PE TP	
			C114	0CG3320U630	O	O	CAPACITOR, SEMI CERAMIC	3300 PF 400V M E R(NK, AD, SD)	
			C114	624-086B		O	CAPACITOR	AC-CON 103/400V SMPS NEW-KORE	
			C115	0CQ1532K409		O	CAPACITOR, FIXED FILM	0.015UF S 50V J PE TP	
			C116	0CE477BH638	O	O	CAPACITOR, ELECTROLYTIC	470UF KME 25V M FM5 TP5	
			C118	0CE1076F638	O	O	CAPACITOR, AL, ELECTROLYTIC	100M SMS 16V M FM5 TP(5)	
			C119	624-085D	O	O	CAPACITOR	CE 47UF/50V KME (SMPS)	
			C120	624-086B		O	CAPACITOR	AC-CON 103/400V SMPS NEW-KORE	
			C121	0CE2276F638	O	O	CAPACITOR, ELECTROLYTIC	220U SMS 16V M FM5 TP(5)	
			C123	0CE108BF638	O	O	CAPACITOR, FIXED ELECTROLYTIC	1000UF KME TYPE 16V M FM5 TP 5	
			C124	0CE108BF638	O	O	CAPACITOR, FIXED ELECTROLYTIC	1000UF KME TYPE 16V M FM5 TP 5	
			C125	0CE3376D638	O	O	CAPACITOR, ELECTROLYTIC	330UF SMS 10V M FM5 TP5	
			C126	0CE477BH638	O	O	CAPACITOR, ELECTROLYTIC	470UF KME 25V M FM5 TP5	
			C127	0CE2276H638	O	O	CAPACITOR, FIXED ELECTROLYTIC	220UF SMS, SG 25V 20% FM5 TP 5	
			C128	0CQ4732K409	O	O	CAPACITOR, FIXED FILM	0.047UF S 50V J PE TP	
			C129	0CE1076F638	O	O	CAPACITOR, AL, ELECTROLYTIC	100M SMS 16V M FM5 TP(5)	
			C130	0CE1076F638	O	O	CAPACITOR, AL, ELECTROLYTIC	100M SMS 16V M FM5 TP(5)	
			C131	0CN223AK948	O	O	CAPACITOR, TUBULAR(HIGH DIELEC)	0.022UF 50V Z F TA26 S	
			C134	0CE1076F638	O	O	CAPACITOR, AL, ELECTROLYTIC	100M SMS 16V M FM5 TP(5)	
			C137	0CE477CD638	O	O	CAPACITOR, AL, ELECTROLYTIC	470UF SHL, SD 10V M FM5 TP 5	
			C140	0CE477CD638	O	O	CAPACITOR, AL, ELECTROLYTIC	470UF SHL, SD 10V M FM5 TP 5	
			C201	0CH1104K942	O	O	CAPACITOR, CHIP[CERAMIC M/L HD	0.1UF 50V Z Y5V(F) 1508 R/TP	
			C203	0CH1104K942	O	O	CAPACITOR, CHIP[CERAMIC M/L HD	0.1UF 50V Z Y5V(F) 1508 R/TP	
			C205	0CH1104K942	O	O	CAPACITOR, CHIP[CERAMIC M/L HD	0.1UF 50V Z Y5V(F) 1508 R/TP	
			C206	0CH1104K942	O	O	CAPACITOR, CHIP[CERAMIC M/L HD	0.1UF 50V Z Y5V(F) 1508 R/TP	
			C207	0CH1104K942	O	O	CAPACITOR, CHIP[CERAMIC M/L HD	0.1UF 50V Z Y5V(F) 1508 R/TP	
			C210	0CH1104K942	O	O	CAPACITOR, CHIP[CERAMIC M/L HD	0.1UF 50V Z Y5V(F) 1508 R/TP	
			C221	0CH1104K942	O	O	CAPACITOR, CHIP[CERAMIC M/L HD	0.1UF 50V Z Y5V(F) 1508 R/TP	
			C223	0CH1104K942	O	O	CAPACITOR, CHIP[CERAMIC M/L HD	0.1UF 50V Z Y5V(F) 1508 R/TP	
			C224	0CH1104K942	O	O	CAPACITOR, CHIP[CERAMIC M/L HD	0.1UF 50V Z Y5V(F) 1508 R/TP	
			C226	0CH1104K942	O	O	CAPACITOR, CHIP[CERAMIC M/L HD	0.1UF 50V Z Y5V(F) 1508 R/TP	
			C227	0CH1104K942	O	O	CAPACITOR, CHIP[CERAMIC M/L HD	0.1UF 50V Z Y5V(F) 1508 R/TP	
			C228	0CH1104K942	O	O	CAPACITOR, CHIP[CERAMIC M/L HD	0.1UF 50V Z Y5V(F) 1508 R/TP	
			C229	0CH1104K942	O	O	CAPACITOR, CHIP[CERAMIC M/L HD	0.1UF 50V Z Y5V(F) 1508 R/TP	
			C232	0CE1064F638	O	O	CAPACITOR, ELECTROLYTIC	10M SRA 16V M FM5 TP(5)	
			C237	0CH1104K942	O	O	CAPACITOR, CHIP[CERAMIC M/L HD	0.1UF 50V Z Y5V(F) 1508 R/TP	
			C238	0CH1104K942	O	O	CAPACITOR, CHIP[CERAMIC M/L HD	0.1UF 50V Z Y5V(F) 1508 R/TP	
			C239	0CH1104K942	O	O	CAPACITOR, CHIP[CERAMIC M/L HD	0.1UF 50V Z Y5V(F) 1508 R/TP	
			C240	0CH1222K562	O	O	CAPACITOR, CHIP[CERAMIC M/L HD	2200PF 50V K X7R(X) 1608 R/TP	
			C241	0CH1104K942	O	O	CAPACITOR, CHIP[CERAMIC M/L HD	0.1UF 50V Z Y5V(F) 1508 R/TP	
			C242	0CH1104K942	O	O	CAPACITOR, CHIP[CERAMIC M/L HD	0.1UF 50V Z Y5V(F) 1508 R/TP	
			C245	0CH1104K942	O	O	CAPACITOR, CHIP[CERAMIC M/L HD	0.1UF 50V Z Y5V(F) 1508 R/TP	
			C250	0CH1104K942	O	O	CAPACITOR, CHIP[CERAMIC M/L HD	0.1UF 50V Z Y5V(F) 1508 R/TP	
			C255	0CH1104K942	O	O	CAPACITOR, CHIP[CERAMIC M/L HD	0.1UF 50V Z Y5V(F) 1508 R/TP	
			C256	0CH1104K942	O	O	CAPACITOR, CHIP[CERAMIC M/L HD	0.1UF 50V Z Y5V(F) 1508 R/TP	
			C257	0CH1104K942	O	O	CAPACITOR, CHIP[CERAMIC M/L HD	0.1UF 50V Z Y5V(F) 1508 R/TP	
			C258	0CH1104K942	O	O	CAPACITOR, CHIP[CERAMIC M/L HD	0.1UF 50V Z Y5V(F) 1508 R/TP	
			C260	0CH4100K112	O	O	CHIP CAPA CERAMIC M/L T.C F/S	10P 50V D COG 1.6X0.8 R/TP	
			C270	0CH1225F944	O	O	CAPACITOR, FIXED CERAMIC(Temp.c	2.2UF 16V 80%,-20% Y5V(F) 3216	
			C271	0CE1064F638	O	O	CAPACITOR, ELECTROLYTIC	10M SRA 16V M FM5 TP(5)	
			C272	0CE4764F638	O	O	CAPACITOR, ELECTROLYTIC	47M SRA/SS 16V M FM5 TP(5)	
			C273	0CH1225F944	O	O	CAPACITOR, FIXED CERAMIC(Temp.c	2.2UF 16V 80%,-20% Y5V(F) 3216	
			C274	0CE4764F638	O	O	CAPACITOR, ELECTROLYTIC	47M SRA/SS 16V M FM5 TP(5)	

S	AL	LOCA.NO	PART NO(LG)	A	B	C	DESCRIPTION	SPECIFICATION	REMARKS
		C275	0CE1064F638	0	0	0	CAPACITOR,ELECTROLYTIC	10M SRA 16V M FM5 TP(5)	
		C276	0CE1064F638	0	0	0	CAPACITOR,ELECTROLYTIC	10M SRA 16V M FM5 TP(5)	
		C277	0CH1225F944	0	0	0	CAPACITOR,FIXED CERAMIC(Temp.c	2.2UF 16V 80%,-20% Y5V(F) 3216	
		C278	0CE1064F638	0	0	0	CAPACITOR,ELECTROLYTIC	10M SRA 16V M FM5 TP(5)	
		C279	0CE1064F638	0	0	0	CAPACITOR,ELECTROLYTIC	10M SRA 16V M FM5 TP(5)	
		C280	0CE1064F638	0	0	0	CAPACITOR,ELECTROLYTIC	10M SRA 16V M FM5 TP(5)	
		C281	0CE1064F638	0	0	0	CAPACITOR,ELECTROLYTIC	10M SRA 16V M FM5 TP(5)	
		C284	0CE4764F638	0	0	0	CAPACITOR,ELECTROLYTIC	47M SRA/SS 16V M FM5 TP(5)	
		C285	0CH1104K942	0	0	0	CAPACITOR,CHIP[CERAMIC M/L HD	0.1UF 50V Z Y5V(F) 1508 R/TP	
		C286	0CH4180K412	0	0	0	CAPACITOR,CHIP[CERAMIC M/L TC	18P 50V J COG 1.6X0.8 R/TP	
		C287	0CH4180K412	0	0	0	CAPACITOR,CHIP[CERAMIC M/L TC	18P 50V J COG 1.6X0.8 R/TP	
		C288	0CH1104K942	0	0	0	CAPACITOR,CHIP[CERAMIC M/L HD	0.1UF 50V Z Y5V(F) 1508 R/TP	
		C2A0	0CH1104K942	0	0	0	CAPACITOR,CHIP[CERAMIC M/L HD	0.1UF 50V Z Y5V(F) 1508 R/TP	
		C2A1	0CH1104K942	0	0	0	CAPACITOR,CHIP[CERAMIC M/L HD	0.1UF 50V Z Y5V(F) 1508 R/TP	
		C2A2	0CH1222K562	0	0	0	CAPACITOR,CHIP[CERAMIC M/L HD	2200PF 50V K X7R(X) 1608 R/TP	
		C2A3	0CH1104K942	0	0	0	CAPACITOR,CHIP[CERAMIC M/L HD	0.1UF 50V Z Y5V(F) 1508 R/TP	
		C2A4	0CH1104K942	0	0	0	CAPACITOR,CHIP[CERAMIC M/L HD	0.1UF 50V Z Y5V(F) 1508 R/TP	
		C2A5	0CH1104K942	0	0	0	CAPACITOR,CHIP[CERAMIC M/L HD	0.1UF 50V Z Y5V(F) 1508 R/TP	
		C2A6	0CH1104K942	0	0	0	CAPACITOR,CHIP[CERAMIC M/L HD	0.1UF 50V Z Y5V(F) 1508 R/TP	
		C2A7	0CH1104K942	0	0	0	CAPACITOR,CHIP[CERAMIC M/L HD	0.1UF 50V Z Y5V(F) 1508 R/TP	
		C2A8	0CH1104K942	0	0	0	CAPACITOR,CHIP[CERAMIC M/L HD	0.1UF 50V Z Y5V(F) 1508 R/TP	
		C2A9	0CH1104K942	0	0	0	CAPACITOR,CHIP[CERAMIC M/L HD	0.1UF 50V Z Y5V(F) 1508 R/TP	
		C2B0	0CH1104K942	0	0	0	CAPACITOR,CHIP[CERAMIC M/L HD	0.1UF 50V Z Y5V(F) 1508 R/TP	
		C2B1	0CH1104K942	0	0	0	CAPACITOR,CHIP[CERAMIC M/L HD	0.1UF 50V Z Y5V(F) 1508 R/TP	
		C2B2	0CH1104K942	0	0	0	CAPACITOR,CHIP[CERAMIC M/L HD	0.1UF 50V Z Y5V(F) 1508 R/TP	
		C2B3	0CH1473H942	0	0	0	CAPA,CHIP CERAMIC M/L H.D F/S	0.0470UF 25V Z Y5V(F) 1608 R/T	
		C2B4	0CH4561K512	0	0	0	CAPACITOR,FIXED CERAMIC(High d	560PF 50V K NP0 1608 R/TP	
		C2B5	0CH4561K512	0	0	0	CAPACITOR,FIXED CERAMIC(High d	560PF 50V K NP0 1608 R/TP	
		C2B6	0CH1333K562	0	0	0	CAPACITOR,CHIP[CERAMIC M/L HD	0.033UF 50V K X7R(X) 1508 R/TP	
		C2B7	0CH1333K562	0	0	0	CAPACITOR,CHIP[CERAMIC M/L HD	0.033UF 50V K X7R(X) 1508 R/TP	
		C2B8	0CH1104K942	0	0	0	CAPACITOR,CHIP[CERAMIC M/L HD	0.1UF 50V Z Y5V(F) 1508 R/TP	
		C2B9	0CH1104K942	0	0	0	CAPACITOR,CHIP[CERAMIC M/L HD	0.1UF 50V Z Y5V(F) 1508 R/TP	
		C2C0	0CH4221K412	0	0	0	CAPACITOR,CHIP[CERAMIC M/L TC	220P 50V J COG 1.6X0.8 R/TP	
		C2C1	0CH1222K562	0	0	0	CAPACITOR,CHIP[CERAMIC M/L HD	2200PF 50V K X7R(X) 1608 R/TP	
		C2C2	0CH1222K562	0	0	0	CAPACITOR,CHIP[CERAMIC M/L HD	2200PF 50V K X7R(X) 1608 R/TP	
		C2C3	0CH1222K562	0	0	0	CAPACITOR,CHIP[CERAMIC M/L HD	2200PF 50V K X7R(X) 1608 R/TP	
		C2C4	0CH1222K562	0	0	0	CAPACITOR,CHIP[CERAMIC M/L HD	2200PF 50V K X7R(X) 1608 R/TP	
		C2C5	0CH1104K942	0	0	0	CAPACITOR,CHIP[CERAMIC M/L HD	0.1UF 50V Z Y5V(F) 1508 R/TP	
		C2C8	0CH4330K412	0	0	0	CAPACITOR,CHIP[CERAMIC M/L TC	33P 50V J COG 1.6X0.8 R/TP	
		C2C9	0CH4330K412	0	0	0	CAPACITOR,CHIP[CERAMIC M/L TC	33P 50V J COG 1.6X0.8 R/TP	
		C2D0	0CH1104K942	0	0	0	CAPACITOR,CHIP[CERAMIC M/L HD	0.1UF 50V Z Y5V(F) 1508 R/TP	
		C2D1	0CE4764F638	0	0	0	CAPACITOR,ELECTROLYTIC	47M SRA/SS 16V M FM5 TP(5)	
		C2D2	0CE4764F638	0	0	0	CAPACITOR,ELECTROLYTIC	47M SRA/SS 16V M FM5 TP(5)	
		C2D3	0CE4764F638	0	0	0	CAPACITOR,ELECTROLYTIC	47M SRA/SS 16V M FM5 TP(5)	
		C2D4	0CE4764F638	0	0	0	CAPACITOR,ELECTROLYTIC	47M SRA/SS 16V M FM5 TP(5)	
		C2D5	0CE1064F638	0	0	0	CAPACITOR,ELECTROLYTIC	10M SRA 16V M FM5 TP(5)	
		C2D6	0CH1104K942	0	0	0	CAPACITOR,CHIP[CERAMIC M/L HD	0.1UF 50V Z Y5V(F) 1508 R/TP	
		C2D7	0CH1104K942	0	0	0	CAPACITOR,CHIP[CERAMIC M/L HD	0.1UF 50V Z Y5V(F) 1508 R/TP	
		C2E1	0CH1182K562	0	0	0	CAPACITOR,CHIP[CERAMIC M/L HD	1800P 50V K X7R 1.6X0.8 R/TP	
		C2M1	0CH1104K942	0	0	0	CAPACITOR,CHIP[CERAMIC M/L HD	0.1UF 50V Z Y5V(F) 1508 R/TP	
		C2M2	0CH1104K942	0	0	0	CAPACITOR,CHIP[CERAMIC M/L HD	0.1UF 50V Z Y5V(F) 1508 R/TP	
		C2M3	0CE4764F638	0	0	0	CAPACITOR,ELECTROLYTIC	47M SRA/SS 16V M FM5 TP(5)	
		C2M4	0CE1064F638	0	0	0	CAPACITOR,ELECTROLYTIC	10M SRA 16V M FM5 TP(5)	
		C2M5	0CH1104K942	0	0	0	CAPACITOR,CHIP[CERAMIC M/L HD	0.1UF 50V Z Y5V(F) 1508 R/TP	
		C2M6	0CH1104K942	0	0	0	CAPACITOR,CHIP[CERAMIC M/L HD	0.1UF 50V Z Y5V(F) 1508 R/TP	
		C2M7	0CH1104K942	0	0	0	CAPACITOR,CHIP[CERAMIC M/L HD	0.1UF 50V Z Y5V(F) 1508 R/TP	
		C2M8	0CH1104K942	0	0	0	CAPACITOR,CHIP[CERAMIC M/L HD	0.1UF 50V Z Y5V(F) 1508 R/TP	
		C2M9	0CH1223K942	0	0	0	CAPACITOR,CHIP[CERAMIC M/L HD	0.022UF 50V Z Y5V(F) 1508 R/TP	
		C2N1	0CH1472K562	0	0	0	CAPACITOR,CHIP[CERAMIC M/L HD	4700PF 50V K X7R(X) 1608 R/TP	
		C2N2	0CH1103K562	0	0	0	CAPACITOR,FIXED CERAMIC(Temp.c	0.01UF 50V 10% X7R(X) 1608 R/T	
		C2N3	0CH1682K562	0	0	0	CAPACITOR,CHIP[CERAMIC M/L HD	6800P 50V K X7R 1.6X0.8 R/TP	
		C2N4	0CH1104K942	0	0	0	CAPACITOR,CHIP[CERAMIC M/L HD	0.1UF 50V Z Y5V(F) 1508 R/TP	
		C2N5	0CH1104K942	0	0	0	CAPACITOR,CHIP[CERAMIC M/L HD	0.1UF 50V Z Y5V(F) 1508 R/TP	
		C2N6	0CH1225F944	0	0	0	CAPACITOR,FIXED CERAMIC(Temp.c	2.2UF 16V 80%,-20% Y5V(F) 3216	
		C301	0CH1225F944	0	0	0	CAPACITOR,FIXED CERAMIC(Temp.c	2.2UF 16V 80%,-20% Y5V(F) 3216	
		C302	0CH1225F944	0	0	0	CAPACITOR,FIXED CERAMIC(Temp.c	2.2UF 16V 80%,-20% Y5V(F) 3216	
		C303	0CH1104K942	0	0	0	CAPACITOR,CHIP[CERAMIC M/L HD	0.1UF 50V Z Y5V(F) 1508 R/TP	
		C304	0CH1104K942	0	0	0	CAPACITOR,CHIP[CERAMIC M/L HD	0.1UF 50V Z Y5V(F) 1508 R/TP	

S	AL	LOCA.NO	PART NO(LG)	A	B	C	DESCRIPTION	SPECIFICATION	REMARKS
		C305	0CH1104K942	0	0	0	CAPACITOR,CHIP[CERAMIC M/L HD	0.1UF 50V Z Y5V(F) 1508 R/TP	
		C306	0CH1104K942	0	0	0	CAPACITOR,CHIP[CERAMIC M/L HD	0.1UF 50V Z Y5V(F) 1508 R/TP	
		C307	0CH1104K942	0	0	0	CAPACITOR,CHIP[CERAMIC M/L HD	0.1UF 50V Z Y5V(F) 1508 R/TP	
		C308	0CH1104K942	0	0	0	CAPACITOR,CHIP[CERAMIC M/L HD	0.1UF 50V Z Y5V(F) 1508 R/TP	
		C309	0CH1104K942	0	0	0	CAPACITOR,CHIP[CERAMIC M/L HD	0.1UF 50V Z Y5V(F) 1508 R/TP	
		C310	0CH1104K942	0	0	0	CAPACITOR,CHIP[CERAMIC M/L HD	0.1UF 50V Z Y5V(F) 1508 R/TP	
		C311	0CH1104K942	0	0	0	CAPACITOR,CHIP[CERAMIC M/L HD	0.1UF 50V Z Y5V(F) 1508 R/TP	
		C312	0CH1104K942	0	0	0	CAPACITOR,CHIP[CERAMIC M/L HD	0.1UF 50V Z Y5V(F) 1508 R/TP	
		C313	0CH1104K942	0	0	0	CAPACITOR,CHIP[CERAMIC M/L HD	0.1UF 50V Z Y5V(F) 1508 R/TP	
		C314	0CH1104K942	0	0	0	CAPACITOR,CHIP[CERAMIC M/L HD	0.1UF 50V Z Y5V(F) 1508 R/TP	
		C315	0CH1104K942	0	0	0	CAPACITOR,CHIP[CERAMIC M/L HD	0.1UF 50V Z Y5V(F) 1508 R/TP	
		C316	0CH1104K942	0	0	0	CAPACITOR,CHIP[CERAMIC M/L HD	0.1UF 50V Z Y5V(F) 1508 R/TP	
		C317	0CH1104K942	0	0	0	CAPACITOR,CHIP[CERAMIC M/L HD	0.1UF 50V Z Y5V(F) 1508 R/TP	
		C318	0CH1104K942	0	0	0	CAPACITOR,CHIP[CERAMIC M/L HD	0.1UF 50V Z Y5V(F) 1508 R/TP	
		C319	0CH1104K942	0	0	0	CAPACITOR,CHIP[CERAMIC M/L HD	0.1UF 50V Z Y5V(F) 1508 R/TP	
		C320	0CH1104K942	0	0	0	CAPACITOR,CHIP[CERAMIC M/L HD	0.1UF 50V Z Y5V(F) 1508 R/TP	
		C321	0CH1104K942	0	0	0	CAPACITOR,CHIP[CERAMIC M/L HD	0.1UF 50V Z Y5V(F) 1508 R/TP	
		C322	0CH1104K942	0	0	0	CAPACITOR,CHIP[CERAMIC M/L HD	0.1UF 50V Z Y5V(F) 1508 R/TP	
		C323	0CH1104K942	0	0	0	CAPACITOR,CHIP[CERAMIC M/L HD	0.1UF 50V Z Y5V(F) 1508 R/TP	
		C324	0CH1104K942	0	0	0	CAPACITOR,CHIP[CERAMIC M/L HD	0.1UF 50V Z Y5V(F) 1508 R/TP	
		C325	0CH1225F944	0	0	0	CAPACITOR,FIXED CERAMIC(Temp.c	2.2UF 16V 80%,-20% Y5V(F) 3216	
		C326	0CH1104K942	0	0	0	CAPACITOR,CHIP[CERAMIC M/L HD	0.1UF 50V Z Y5V(F) 1508 R/TP	
		C327	0CH1225F944	0	0	0	CAPACITOR,FIXED CERAMIC(Temp.c	2.2UF 16V 80%,-20% Y5V(F) 3216	
		C328	0CH1225F944	0	0	0	CAPACITOR,FIXED CERAMIC(Temp.c	2.2UF 16V 80%,-20% Y5V(F) 3216	
		C329	0CH1104K942	0	0	0	CAPACITOR,CHIP[CERAMIC M/L HD	0.1UF 50V Z Y5V(F) 1508 R/TP	
		C330	0CH1104K942	0	0	0	CAPACITOR,CHIP[CERAMIC M/L HD	0.1UF 50V Z Y5V(F) 1508 R/TP	
		C331	0CH1104K942	0	0	0	CAPACITOR,CHIP[CERAMIC M/L HD	0.1UF 50V Z Y5V(F) 1508 R/TP	
		C332	0CH1104K942	0	0	0	CAPACITOR,CHIP[CERAMIC M/L HD	0.1UF 50V Z Y5V(F) 1508 R/TP	
		C333	0CH1104K942	0	0	0	CAPACITOR,CHIP[CERAMIC M/L HD	0.1UF 50V Z Y5V(F) 1508 R/TP	
		C334	0CH1104K942	0	0	0	CAPACITOR,CHIP[CERAMIC M/L HD	0.1UF 50V Z Y5V(F) 1508 R/TP	
		C335	0CH1104K942	0	0	0	CAPACITOR,CHIP[CERAMIC M/L HD	0.1UF 50V Z Y5V(F) 1508 R/TP	
		C336	0CH1104K942	0	0	0	CAPACITOR,CHIP[CERAMIC M/L HD	0.1UF 50V Z Y5V(F) 1508 R/TP	
		C337	0CH1104K942	0	0	0	CAPACITOR,CHIP[CERAMIC M/L HD	0.1UF 50V Z Y5V(F) 1508 R/TP	
		C338	0CH1104K942	0	0	0	CAPACITOR,CHIP[CERAMIC M/L HD	0.1UF 50V Z Y5V(F) 1508 R/TP	
		C339	0CH1104K942	0	0	0	CAPACITOR,CHIP[CERAMIC M/L HD	0.1UF 50V Z Y5V(F) 1508 R/TP	
		C340	0CH1103K562	0	0	0	CAPACITOR,FIXED CERAMIC(Temp.c	0.01UF 50V 10% X7R(X) 1608 R/T	
		C341	0CH1103K562	0	0	0	CAPACITOR,FIXED CERAMIC(Temp.c	0.01UF 50V 10% X7R(X) 1608 R/T	
		C380	0CH1104K942	0	0	0	CAPACITOR,CHIP[CERAMIC M/L HD	0.1UF 50V Z Y5V(F) 1508 R/TP	
		C382	0CH4100K112	0	0	0	CHIP CAPA CERAMIC M/L T.C F/S	10P 50V D COG 1.6X0.8 R/TP	
		C391	0CH1104K942	0	0	0	CAPACITOR,CHIP[CERAMIC M/L HD	0.1UF 50V Z Y5V(F) 1508 R/TP	
		C392	0CH1103K562	0	0	0	CAPACITOR,FIXED CERAMIC(Temp.c	0.01UF 50V 10% X7R(X) 1608 R/T	
		C3K1	0CH1104K942	0	0	0	CAPACITOR,CHIP[CERAMIC M/L HD	0.1UF 50V Z Y5V(F) 1508 R/TP	
		C3K2	0CH4150K412	0	0	0	CAPA,CHIP CERAMIC M/L T.C F/S	15P 50V J COG 1.6X0.8 R/TP	
		C3K3	0CH4150K412	0	0	0	CAPA,CHIP CERAMIC M/L T.C F/S	15P 50V J COG 1.6X0.8 R/TP	
		C403	0CN1040K948	0	0	0	CAPACITOR,FIXED TUBULAR(High d	0.1UF D 50V 80%,-20% F(Y5V) TA	
		C405	0CE477CC618	0	0	0	CAPACITOR,FIXED ELECTROLYTIC	470UF SHL,SD 6.3V 20% TP 5 FL	
		C406	0CN1030F678	0	0	0	CAPACITOR TUBULA(HIGH DIELE)	0.01M 16V M Y TA26	
		C407	0CE4764F638	0	0	0	CAPACITOR,ELECTROLYTIC	47M SRA/SS 16V M FM5 TP(5)	
		C408	0CE1064F638	0	0	0	CAPACITOR,ELECTROLYTIC	10M SRA 16V M FM5 TP(5)	
		C409	0CE477CC618	0	0	0	CAPACITOR,FIXED ELECTROLYTIC	470UF SHL,SD 6.3V 20% TP 5 FL	
		C410	0CE4764F638	0	0	0	CAPACITOR,ELECTROLYTIC	47M SRA/SS 16V M FM5 TP(5)	
		C411	0CN1020K518	0	0	0	CAPACITOR TUBULA(HIGH DIELE)	1000P 50V K B TA26	
		C412	0CN1010K418	0	0	0	CAPACITOR,TUBULAR(HIGH DIELEC)	100PF 50V J B TA26	
		C413	0CE1064F638	0	0	0	CAPACITOR,ELECTROLYTIC	10M SRA 16V M FM5 TP(5)	
		C414	0CN1040K948	0	0	0	CAPACITOR,FIXED TUBULAR(High d	0.1UF D 50V 80%,-20% F(Y5V) TA	
		C415	0CE1064F638	0	0	0	CAPACITOR,ELECTROLYTIC	10M SRA 16V M FM5 TP(5)	
		C416	0CN1020K518	0	0	0	CAPACITOR TUBULA(HIGH DIELE)	1000P 50V K B TA26	
		C417	0CN1010K418	0	0	0	CAPACITOR,TUBULAR(HIGH DIELEC)	100PF 50V J B TA26	
		C418	0CN3920F668	0	0	0	CAPACITOR TUBULA(HIGH DIELE)	3900P 16V M X TA26	
		C419	0CE4764F638	0	0	0	CAPACITOR,ELECTROLYTIC	47M SRA/SS 16V M FM5 TP(5)	
		C420	0CN3920F668	0	0	0	CAPACITOR TUBULA(HIGH DIELE)	3900P 16V M X TA26	
		C421	0CE4764F638	0	0	0	CAPACITOR,ELECTROLYTIC	47M SRA/SS 16V M FM5 TP(5)	
		C422	0CE1064F638	0	0	0	CAPACITOR,ELECTROLYTIC	10M SRA 16V M FM5 TP(5)	
		C424	0CN1040K948	0	0	0	CAPACITOR,FIXED TUBULAR(High d	0.1UF D 50V 80%,-20% F(Y5V) TA	
		C425	0CN1030F678	0	0	0	CAPACITOR TUBULA(HIGH DIELE)	0.01M 16V M Y TA26	
		C429	0CE4764F638	0	0	0	CAPACITOR,ELECTROLYTIC	47M SRA/SS 16V M FM5 TP(5)	
		C430	0CE4764F638	0	0	0	CAPACITOR,ELECTROLYTIC	47M SRA/SS 16V M FM5 TP(5)	
		C501	0CH1104K942	0	0	0	CAPACITOR,CHIP[CERAMIC M/L HD	0.1UF 50V Z Y5V(F) 1508 R/TP	

S	AL	LOCA.NO	PART NO(LG)	A	B	C	DESCRIPTION	SPECIFICATION	REMARKS
			C502	0	0	0	CAPACITOR,CHIP[CERAMIC M/L HD	0.1UF 50V Z Y5V(F) 1508 R/TP	
			C503	0	0	0	CAPACITOR,CHIP[CERAMIC M/L HD	0.1UF 50V Z Y5V(F) 1508 R/TP	
			C504	0	0	0	CAPACITOR,CHIP[CERAMIC M/L HD	0.1UF 50V Z Y5V(F) 1508 R/TP	
			C506	0	0	0	CAPACITOR,CHIP[CERAMIC M/L HD	0.1UF 50V Z Y5V(F) 1508 R/TP	
			C507	0	0	0	CAPACITOR,CHIP[CERAMIC M/L HD	0.1UF 50V Z Y5V(F) 1508 R/TP	
			C508	0	0	0	CAPACITOR,CHIP[CERAMIC M/L HD	0.1UF 50V Z Y5V(F) 1508 R/TP	
			C509	0	0	0	CAPACITOR,CHIP[CERAMIC M/L HD	0.1UF 50V Z Y5V(F) 1508 R/TP	
			C512	0	0	0	CAPACITOR,CHIP[CERAMIC M/L HD	0.1UF 50V Z Y5V(F) 1508 R/TP	
			C513	0	0	0	CAPACITOR,CHIP[CERAMIC M/L HD	0.1UF 50V Z Y5V(F) 1508 R/TP	
			C514	0	0	0	CAPACITOR,CHIP[CERAMIC M/L HD	0.1UF 50V Z Y5V(F) 1508 R/TP	
			C515	0	0	0	CAPACITOR,FIXED CERAMIC(Temp.c	2.2UF 16V 80%,-20% Y5V(F) 3216	
			C516	0	0	0	CAPACITOR,FIXED CERAMIC(Temp.c	2.2UF 16V 80%,-20% Y5V(F) 3216	
			C517	0	0	0	CAPACITOR,FIXED CERAMIC(Temp.c	2.2UF 16V 80%,-20% Y5V(F) 3216	
			C518	0	0	0	CAPACITOR,CHIP[CERAMIC M/L HD	0.1UF 50V Z Y5V(F) 1508 R/TP	
			C519	0	0	0	CAPACITOR,FIXED CERAMIC(Temp.c	2.2UF 16V 80%,-20% Y5V(F) 3216	
			C520	0	0	0	CAPACITOR,CHIP[CERAMIC M/L TC	220P 50V J COG 1.6X0.8 R/TP	
			C522	0	0	0	CAPACITOR,CHIP[CERAMIC M/L TC	220P 50V J COG 1.6X0.8 R/TP	
			C523	0	0	0	CAPACITOR,CHIP[CERAMIC M/L TC	220P 50V J COG 1.6X0.8 R/TP	
			C525	0	0	0	CAPACITOR,CHIP[CERAMIC M/L TC	220P 50V J COG 1.6X0.8 R/TP	
			C526	0	0	0	CAPACITOR,CHIP[CERAMIC M/L TC	220P 50V J COG 1.6X0.8 R/TP	
			C529	0	0	0	CAPACITOR,CHIP[CERAMIC M/L TC	220P 50V J COG 1.6X0.8 R/TP	
			C531	0	0	0	CAPACITOR,CHIP[CERAMIC M/L TC	220P 50V J COG 1.6X0.8 R/TP	
			C532	0	0	0	CAPACITOR,CHIP[CERAMIC M/L TC	220P 50V J COG 1.6X0.8 R/TP	
			C533	0	0	0	CAPACITOR,CHIP[CERAMIC M/L TC	220P 50V J COG 1.6X0.8 R/TP	
			C534	0	0	0	CAPA,CHIP CERAMIC M/L T.C F/S	56P 50V J COG 1.6X0.8 R/TP	
			C536	0	0	0	CAPACITOR,ELECTROLYTIC	10M SRA 16V M FM5 TP(5)	
			C601	0	0	0	CAPACITOR,ELECTROLYTIC	22M SRA 16V M FM5 TP(5)	
			C603	0	0	0	CAPACITOR,ELECTROLYTIC	220M SRA 6.3V M FM5 TP(5)	
			C604	0	0	0	CAPACITOR,ELECTROLYTIC	22M SRA 16V M FM5 TP(5)	
			C605	0	0	0	CAPACITOR TUBULA(HIGH DIELE)	0.01M 16V M Y TA26	
			C606	0	0	0	CAPACITOR TUBULA(HIGH DIELE)	0.01M 16V M Y TA26	
			C613	0	0	0	CAPACITOR,ELECTROLYTIC	220M SRA 6.3V M FM5 TP(5)	
			C614	0	0	0	CAPACITOR,ELECTROLYTIC	220M SRA 6.3V M FM5 TP(5)	
			C615	0	0	0	CAPACITOR,ELECTROLYTIC	220M SRA 6.3V M FM5 TP(5)	
			C616	0	0	0	CAPACITOR TUBULA(HIGH DIELE)	3900P 16V M X TA26	
			C617	0	0	0	CAPACITOR TUBULA(HIGH DIELE)	3900P 16V M X TA26	
			C656	0	0	0	CAPACITOR,ELECTROLYTIC	10M SRA 16V M FM5 TP(5)	
			C657	0	0	0	CAPACITOR,ELECTROLYTIC	10M SRA 16V M FM5 TP(5)	
			C663	0	0	0	CAPACITOR,ELECTROLYTIC	220M SRA 6.3V M FM5 TP(5)	
			C901	0	0	0	CAPACITOR TUBULA(HIGH DIELE)	0.01M 16V M Y TA26	
			C902	0	0	0	CAPACITOR,ELECTROLYTIC	10M SRA 16V M FM5 TP(5)	
			C905	0	0	0	CAPACITOR,FIXED TUBULAR(High d	0.1UF D 50V 80%,-20% F(Y5V) TA	
			C906	0	0	0	CAPACITOR,FIXED TUBULAR(High d	0.1UF D 50V 80%,-20% F(Y5V) TA	
			C907	0	0	0	CAPACITOR,ELECTROLYTIC	47M SRA/SS 16V M FM5 TP(5)	
			C908	0	0	0	CAPACITOR,ELECTROLYTIC	47M SRA/SS 16V M FM5 TP(5)	
			C909	0	0	0	CAPACITOR,AL.ELECTROLYTIC	47UF SRA,SS 35V M FM5 TP 5	
			C910	0	0	0	CAPACITOR,FIXED TUBULAR(High d	0.1UF D 50V 80%,-20% F(Y5V) TA	
			C911	0	0	0	CAPACITOR,FIXED TUBULAR(High d	0.1UF D 50V 80%,-20% F(Y5V) TA	
			C912	0	0	0	CAPACITOR,ELECTROLYTIC	47M SRA/SS 16V M FM5 TP(5)	
<b>DIODE</b>									
			BD101	0	0	0	DIODE	S1WBA60(1A 600V) SHIDENKEN	
			D101	0	0	0	DIODE,RECTIFIERS	SUF4005 R. TP GULF SEMICONDUCT	
			D101	0	0	0	DIODE,RECTIFIERS	10SP07U(SUF4007SP) TP GULF SEM	
			D102	0	0	0	DIODE	EU01W(R-FORM) TP SANKEN	
			D103	0	0	0	DIODE,SWITCHING	1SS133 DETECT,SW TP	
			D104	0	0	0	DIODE,SWITCHING	1SS133 DETECT,SW TP	
			D105	0	0	0	DIODE,RECTIFIER	RL104 R. TP GULF SEMICONDUCTOR	
			D106	0	0	0	DIODE,RECTIFIER	HER202 BK RECTRON NON 100V 2A	
			D107	0	0	0	DIODE	EU01W(R-FORM) TP SANKEN	
			D107	0	0	0	DIODE,RECTIFIER	ERA18-02KFRB TP FUJI DO204AL 2	
			D108	0	0	0	DIODE	EU01W(R-FORM) TP SANKEN	
			D109	0	0	0	DIODE,RECTIFIERS	FMB-G24H LF651 SANKEN BK NON	
			D110	0	0	0	DIODE,RECTIFIER	ERA18-02KFRB TP FUJI DO204AL 2	
			D112	0	0	0	DIODE,RECTIFIER	1N5402 BK GULF SEMICONDUCTOR L	
			D113	0	0	0	DIODE,RECTIFIER	1N5402 BK GULF SEMICONDUCTOR L	
			D114	0	0	0	DIODE,RECTIFIERS	1N17 RECTRON TP NON 20V 1A 20	
			D115	0	0	0	DIODE,RECTIFIERS	1N17 RECTRON TP NON 20V 1A 20	

S	AL	LOCA.NO	PART NO(LG)	A	B	C	DESCRIPTION	SPECIFICATION	REMARKS
			D116				DIODE,RECTIFIERS	RZ1040 BK SANKEN DO41 40V 30A	
			D2A1				DIODE,SWITCHING	DAN202K TP ROHM KOREA SOT23 80	
			D2A2				DIODE,SWITCHING	DAN202K TP ROHM KOREA SOT23 80	
			D601				DIODE,SWITCHING	1SS133 DETECT,SW TP	
			D602				DIODE,SWITCHING	1SS133 DETECT,SW TP	
			D603				DIODE,SWITCHING	1SS133 DETECT,SW TP	
			D604				DIODE,SWITCHING	1SS133 DETECT,SW TP	
			D605				DIODE,SWITCHING	1SS133 DETECT,SW TP	
<b>FUSE,DIGITRON</b>									
			DIG901				DIGITRON	7-BT-273GN FUTABA UNIVERSAL DV	
			F101				FUSE,SLOW BLOW	1600MA 250 V 5.2X20 CY/GL SEMK	
			F101				FUSE,SLOW BLOW	1600MA 250 V 5.2X20 CY/GL KS /	
<b>IC,JACK,FILTER,HOLDER,SENSOR,COIL</b>									
			F102				IC,ROHM	ICP-N10 T104 TP IC DETACT	
			F104				IC,ROHM	ICP-N20 T104 TP IC DETACT	
			F602				FILTER(CIRC),EMI	CFI06B1H101MF SAMWHA TP 2.5K/T	
			F603				FILTER(CIRC),EMI	CFI06B1H101MF SAMWHA TP 2.5K/T	
			F604				FILTER(CIRC),EMI	CFI06B1H101MF SAMWHA TP 2.5K/T	
			F605				FILTER(CIRC),EMI	CFI06B1H101MF SAMWHA TP 2.5K/T	
			F606				FILTER(CIRC),EMI	CFI06B1H101MF SAMWHA TP 2.5K/T	
			F607				FILTER(CIRC),EMI	CFI06B1H101MF SAMWHA TP 2.5K/T	
			F608				FILTER(CIRC),EMI	CFI06B1H101MF SAMWHA TP 2.5K/T	
			F612				FILTER(CIRC),EMI	CFI06B1H101MF SAMWHA TP 2.5K/T	
			F613				FILTER(CIRC),EMI	CFI06B1H101MF SAMWHA TP 2.5K/T	
			F617				FILTER(CIRC),EMI	CFI06B1H101MF SAMWHA TP 2.5K/T	
			F618				FILTER(CIRC),EMI	CFI06B1H101MF SAMWHA TP 2.5K/T	
			F622				FILTER(CIRC),EMI	CFI06B1H101MF SAMWHA TP 2.5K/T	
			FH101				HOLDER	FUSE CLIP TP SINSUNG	
			FH102				HOLDER	FUSE CLIP TP SINSUNG	
			IC01				IC,XILINX	XC9536-15VQ44C 44P VQFP BK CPL	
			IC101				IC,POWER MANAGEMENT	KA5M0365R-YDTU FAIRCHILD 4 T0-	
			IC102				SENSOR	LTV-817B,PHOTO COUPLER(LITEON)	
			IC104				IC,SAMSUNG ELECTRONICS	KA431AZ (LM431AZ)	
			IC105				IC,POWER MANAGEMENT	KIA78R08PI CU KEC 4P TO-220IS	
			IC106				IC,POWER MANAGEMENT	KIA78R33PI CU KEC 4P TO-220IS	
			IC107				IC,POWER MANAGEMENT	KIA78R33PI CU KEC 4P TO-220IS	
			IC108				SENSOR	LTV-817B,PHOTO COUPLER(LITEON)	
			IC201				IC,HYUNDAI	GDC25D801D 208 QFP BK DSP+SERV	
			IC203				IC,JRC	NJM3414AM-TE1,3K/REEL. JRC	
			IC204				IC,STANDARD LOGIC	KIC7W53FU KEC 8PIN SM8 R/TP 2-	
			IC205				IC,MEMORIES	M11L416256A-35J ELITE MEMORY T	
			IC206				IC,TOSHIBA	TC7W04FU	
			IC2A1				IC,TEXAS INSTRUMENT	SSI33P3721 (VER.2) 64 TQFP BK R	
			IC2A2				IC,JRC	NJM3414AM-TE1,3K/REEL. JRC	
			IC2M1				IC,LINEAR	FAN8727 FAIRCHILD 48PIN QFP TR	
			IC301				IC,C-CUBE	ZIVA4.1B0 208 QFP TRAY MPEG DE	
			IC302				IC,LG SEMICONDUCTOR	GM72V161621ET-7 50TSOP TP 16MS	
			IC303				IC,LG SEMICONDUCTOR	GM72V161621ET-7 50TSOP TP 16MS	
			IC304				IC,TOSHIBA	TC7W04FU	
			IC305				IC,TOSHIBA	TC7W04FU	
			IC401				IC,BUR BROWN	PCM1716E 28P SSOP TP DAC 2K/R	
			IC402				IC,PERIPHERALS	NJM4580D JRC 8 DIP ST SWITCHIN	
			IC403				IC,KEC	KIA78R12PI CU 4P TO-220IS ST 1	
			IC501				IC,HITACHI	HD6417034AFI20 112QFP BK MICOM	
			IC502				IC,ATMEL	AT49F8192A-90TC 48TSOP BK 8M(1	
			IC503				IC,ELITE MEMORY TECHNOLOGY	M11B416256A-35J ELITE 4M(256K	
			IC504				IC,SAMSUNG ELECTRONICS	KS24C021CS SOP8 TP EEPROM 2K L	
			IC505				IC,STANDARD LOGIC	MC74VHC374DTR2 ON SEMI 20P TSS	
			IC506				IC,HYUNDAI	HS602002 44 QFP BK CPLD ASIC D	
			IC901				IC,MICRO CONTROLLER	UPD780232GC-043-8BT NEC 80 QFP	
			IC902				IC,KEC	KIA7042P 3P 4.2V RESET(TAPING)	
			JK601				JACK,FIBER OPTIC	GP1FA550TZ SHARP VE	
			JK602				JACK,RCA	RCA DIN-11G YUQIU D.GND R9P+DI	
			JK602				JACK,RCA	RCA DIN-09G YUQIU D.GND R4P+DI	
			JK603				JACK,SCART	1F-21P 3.81 BAEUN (BK) W/SHIEL	
			BC101				COIL	BEAD CORE BFS3550R2FD8,R T/P	

S	AL	LOCA.NO	PART NO(LG)	A	B	C	DESCRIPTION	SPECIFICATION	REMARKS
		L101	616-145L			O	FILTER(CIRC)	LS-AI99F-009 FORDGOOD	
		L101	616-145M	O	O		FILTER(CIRC),DRAWING	V-04350 LS FUTAI BULK =616-145	
		L102	633-088G	O	O	O	COIL,CHOKE	CHOCK(22MH) TP 5MM	
		L103	633-088D	O	O	O	COIL,CHOKE	CHOCK ,20UH,LEAD CUT	
		L201	6200HJC102A	O	O	O	FILTER(CIRC),EMI	HB-1M2012-102JT CERATECH TP 3K	
		L202	6200HJC102A	O	O	O	FILTER(CIRC),EMI	HB-1M2012-102JT CERATECH TP 3K	
		L203	6200HJC102A	O	O	O	FILTER(CIRC),EMI	HB-1M2012-102JT CERATECH TP 3K	
		L204	6200HJC102A	O	O	O	FILTER(CIRC),EMI	HB-1M2012-102JT CERATECH TP 3K	
		L207	6200HJC102A	O	O	O	FILTER(CIRC),EMI	HB-1M2012-102JT CERATECH TP 3K	
		L208	6200HJC102A	O	O	O	FILTER(CIRC),EMI	HB-1M2012-102JT CERATECH TP 3K	
		L211	6200HJC102A	O	O	O	FILTER(CIRC),EMI	HB-1M2012-102JT CERATECH TP 3K	
		L2A1	6200HJC102A	O	O	O	FILTER(CIRC),EMI	HB-1M2012-102JT CERATECH TP 3K	
		L2A2	6200HJC102A	O	O	O	FILTER(CIRC),EMI	HB-1M2012-102JT CERATECH TP 3K	
		L301	6200HJC102A	O	O	O	FILTER(CIRC),EMI	HB-1M2012-102JT CERATECH TP 3K	
		L302	6200HJC102A	O	O	O	FILTER(CIRC),EMI	HB-1M2012-102JT CERATECH TP 3K	
		L303	6200HJC102A	O	O	O	FILTER(CIRC),EMI	HB-1M2012-102JT CERATECH TP 3K	
		L304	6200HJC102A	O	O	O	FILTER(CIRC),EMI	HB-1M2012-102JT CERATECH TP 3K	
		L307	6200HJC102A	O	O	O	FILTER(CIRC),EMI	HB-1M2012-102JT CERATECH TP 3K	
		L308	6200HJC102A	O	O	O	FILTER(CIRC),EMI	HB-1M2012-102JT CERATECH TP 3K	
		L309	6200HJC102A	O	O	O	FILTER(CIRC),EMI	HB-1M2012-102JT CERATECH TP 3K	
		L310	6200HJC102A	O	O	O	FILTER(CIRC),EMI	HB-1M2012-102JT CERATECH TP 3K	
		L311	6200HJC102A	O	O	O	FILTER(CIRC),EMI	HB-1M2012-102JT CERATECH TP 3K	
		L401	0LR1000J0N5	O	O	O	INDUCTOR,RADIAL LEAD	100UH 5% TP 3X5 TR5	
		L501	6200HJC102A	O	O	O	FILTER(CIRC),EMI	HB-1M2012-102JT CERATECH TP 3K	
		L502	6200HJC102A	O	O	O	FILTER(CIRC),EMI	HB-1M2012-102JT CERATECH TP 3K	
		L503	6200HJC102A	O	O	O	FILTER(CIRC),EMI	HB-1M2012-102JT CERATECH TP 3K	
		L505	6200HJC102A	O	O	O	FILTER(CIRC),EMI	HB-1M2012-102JT CERATECH TP 3K	
		L506	6200HJC102A	O	O	O	FILTER(CIRC),EMI	HB-1M2012-102JT CERATECH TP 3K	
		L507	6200HJC102A	O	O	O	FILTER(CIRC),EMI	HB-1M2012-102JT CERATECH TP 3K	
		L602	0LR1000J0N5			O	INDUCTOR,RADIAL LEAD	100UH 5% TP 3X5 TR5	
		L603	0LA0101K018	O	O	O	INDUCTOR AXIAL LEAD	1.0M K 2.3X3.4 L5 TP	
		L604	0LA0101K018	O	O	O	INDUCTOR AXIAL LEAD	1.0M K 2.3X3.4 L5 TP	
		L901	0LR1000J0N5	O	O	O	INDUCTOR,RADIAL LEAD	100UH 5% TP 3X5 TR5	
		L902	0LR1000J0N5	O	O	O	INDUCTOR,RADIAL LEAD	100UH 5% TP 3X5 TR5	
<b>LED ASSY&amp;CONNECTOR,PWB ASSY</b>									
		LED01	0DL111209CA	O	O	O	LED	LTL-1CHEES-UA TP LITEON RED =0	
		LED02	0DL111209EA	O	O	O	LED	LTL-1CHKES-UA TP LITEON GREEN	
		LED03	0DL111209CA	O	O	O	LED	LTL-1CHEES-UA TP LITEON RED =0	
		LED901	0DLAU0029AA	O	O	O	LED	AUK SYM3272 (YELLOW-GREEN,GREE	
		P3401	6630R-BE034	O	O	O	CONNECTOR (CIRC),BOARD TO BOAR	2254-30S-T ILSSAN 30PIN 2.0MM	
		P4301	6630R-BE024	O	O	O	CONNECTOR (CIRC),BOARD TO BOAR	2254-30P-T ILSSAN 30PIN 2.0MM	
		P5502	6630XE00115	O	O	O	CONNECTOR (CIRC),FFC/FPC	04-6232-015-010-000 ELCO 15P 1	
		P5901	6630R-BE034	O	O	O	CONNECTOR (CIRC),BOARD TO BOAR	2254-30S-T ILSSAN 30PIN 2.0MM	
		P9501	6630R-BE024	O	O	O	CONNECTOR (CIRC),BOARD TO BOAR	2254-30P-T ILSSAN 30PIN 2.0MM	
		P9901	563-602U	O	O	O	CONNECTOR ASSY	GIL-S/9073AN 4 150M/M UL1571 A	
		P9902	561-711D	O	O	O	CONNECTOR (CIRC),HOUSING	GIL-S-04P-S2T2-EF LG CABLE 4PI	
		P9903	6631R-E009L	O	O	O	CONNECTOR ASSY	GIL-S/9073AN 3 PIN 100M/M UL15	
		P9904	561-711C	O	O	O	CONNECTOR	*WAFER,G/S GIL-S-03P-S2T2-EF	
		PBJIG	6871R-1959A	O	O	O	PWB(PCB) ASSY,TOTAL	DVD-3000'S JIG A'Y	
		PBP00	6871R-4748A	O	O	O	PWB(PCB) ASSEMBLY,TOTAL	DV4000 NAD (LED)	
		PBT00	6871R-4747A	O	O	O	PWB(PCB) ASSEMBLY,TOTAL	DV4000 NAD (KEY)	
		PMD02	6630R-FB10W	O	O	O	CONNECTOR (CIRC),FFC/FPC	00-6232-023-006-800 ELCO 23PIN	
		PW101	561-292B	O	O	O	CONNECTOR	GP390 LGC 3P 3.96 STRAIGHT SN	
		PMD03	6630R-FB10T	O	O	O	CONNECTOR (CIRC),FFC/FPC	00-6232-020-006-800 ELCO 20 PI	
<b>PROGRAM</b>									
		IC502	6957R-015AA			O	PROGRAM	DV4751E LG 5LANG	
		IC502	6957R-015BB	O			PROGRAM	DVN 4021P NAD A3 CHINA SVC	
<b>TRANSISTOR</b>									
		Q101	0TR130050AB			O	TRANSISTOR	KSE13005F BK SAMSUNG TO220F ST	
		Q102	0TR319809AC			O	TRANSISTOR	KTC3198-TP-BL (KTC1815)KEC	
		Q107	0TR115100AA	O	O	O	TRANSISTOR	KSB1151-Y BK SAMSUNG TO-126	
		Q108	0TR319909AF	O	O	O	TRANSISTOR,BIPOLARS	KTC3199-BL MINI TP KEC	
		Q2A1	0TR103709BB	O	O	O	TRANSISTOR	2SA1037K-Q CHIP ROHM-J	
		Q2A2	0TR103709BB	O	O	O	TRANSISTOR	2SA1037K-Q CHIP ROHM-J	
		Q2M1	0TR124009AP	O	O	O	TRANSISTOR	DTC124EK TP ROHM KOREA SOT23 3	
		Q303	0TR100009BM	O	O	O	TRANSISTOR	UMZ1N TL UM6 3K TP ROHM	

S	AL	LOCA.NO	PART NO(LG)	A	B	C	DESCRIPTION	SPECIFICATION	REMARKS
			Q401				TRANSISTOR	KTA1267-GR MINI TP KEC	
			Q402				TRANSISTOR	KTA1267-GR MINI TP KEC	
			Q403				TRANSISTOR,BIPOLARS	KTC3199-BL MINI TP KEC	
			Q404				TRANSISTOR,BIPOLARS	KTC3199-BL MINI TP KEC	
			Q405				TRANSISTOR,BIPOLARS	KTC3199-BL MINI TP KEC	
			Q406				TRANSISTOR,BIPOLARS	KTC3199-BL MINI TP KEC	
			Q407				TRANSISTOR,BIPOLARS	KTC3199-BL MINI TP KEC	
			Q601				TRANSISTOR	KTA1267-GR MINI TP KEC	
			Q602				TRANSISTOR	KRC103M-TP (KRC1203) KEC	
			Q603				TRANSISTOR	KRC103M-TP (KRC1203) KEC	
			Q604				TRANSISTOR	KRC103M-TP (KRC1203) KEC	
			Q605				TRANSISTOR	KTA1267-GR MINI TP KEC	
			Q606				TRANSISTOR	KTA1267-GR MINI TP KEC	
			Q607				TRANSISTOR,BIPOLARS	KTC3199-BL MINI TP KEC	
			Q608				TRANSISTOR,BIPOLARS	KTC3199-BL MINI TP KEC	
			Q615				TRANSISTOR	KTA1267-GR MINI TP KEC	
			Q618				TRANSISTOR,BIPOLARS	KTC3199-BL MINI TP KEC	
			Q619				TRANSISTOR,BIPOLARS	KTC3199-BL MINI TP KEC	
<b>RESISTER</b>									
			R101				RESISTOR	2.7/2W CEMENT SMPS V	
			R104				RESISTOR,FIXED METAL OXIDE FIL	33K OHM 2 W 5.00% TR	
			R104				RESISTOR,FIXED METAL OXIDE FIL	56K OHM 2 W 5.00% TR	
			R109				RESISTOR,FIXED CARBON FILM	15K OHM 1/6 W 5.00% TA26	
			R110				RESISTOR,FIXED METAL OXIDE FIL	120 OHM 1 W 5.00% TR	
			R111				RESISTOR,FIXED METAL OXIDE FIL	1 OHM 2 W 5.00% TR	
			R112				RESISTOR,FIXED CARBON FILM	3.9 OHM 1/6 W 5.00% TA26	
			R112				RESISTOR,FIXED CARBON FILM	8.2K OHM 1/6 W 5.00% TA26	
			R114				RESISTOR,FIXED CARBON FILM	100K OHM 1/6 W 5.00% TA26	
			R115				RESISTOR,FIXED CARBON FILM	4.7 OHM 1/6 W 5.00% TA26	
			R115				RESISTOR,FIXED CARBON FILM	5.6 OHM 1/6 W 5.00% TA26	
			R117				RESISTOR,FIXED CARBON FILM	100 OHM 1/6 W 5.00% TA26	
			R120				RESISTOR,FIXED CARBON FILM	1K OHM 1/6 W 5.00% TA26	
			R121				RESISTOR,FIXED CARBON FILM	1.2K OHM 1/6 W 5.00% TA26	
			R122				RESISTOR,FIXED METAL OXIDE FIL	120 OHM 1 W 5.00% TR	
			R123				RESISTOR,FIXED CARBON FILM	1K OHM 1/6 W 5.00% TA26	
			R124				RESISTOR,FIXED CARBON FILM	330 OHM 1/6 W 5.00% TA26	
			R125				RESISTOR,FIXED CARBON FILM	3.9K OHM 1/6 W 5.00% TA26	
			R126				RESISTOR,FIXED CARBON FILM	1K OHM 1/6 W 5.00% TA26	
			R127				RESISTOR,FIXED METAL FILM	3.6K OHM 1/8 W 1.00% TA26	
			R128				RESISTOR,FIXED METAL FILM	3.3K OHM 1/6 W 1.00% TA26	
			R130				RESISTOR,FIXED CARBON FILM	10K OHM 1/6 W 5.00% TA26	
			R131				RESISTOR,FIXED CARBON FILM	220K OHM 1/6 W 5.00% TA26	
			R132				RESISTOR,FIXED CARBON FILM	220K OHM 1/6 W 5.00% TA26	
			R140				RESISTOR,FIXED CARBON FILM	10K OHM 1/6 W 5.00% TA26	
			R141				RESISTOR,FIXED CARBON FILM	10K OHM 1/6 W 5.00% TA26	
			R144				RESISTOR,FIXED CARBON FILM	330 OHM 1/6 W 5.00% TA26	
			R144				RESISTOR,FIXED METAL OXIDE FIL	120 OHM 1 W 5.00% TR	
			R145				RESISTOR,FIXED CARBON FILM	470 OHM 1/6 W 5.00% TA26	
			R201				RESISTOR,METAL GLAZED(CHIP)	0 OHM 1 / 16 W 1608 5.00% D	
			R202				RESISTOR,METAL GLAZED(CHIP)	0 OHM 1 / 16 W 1608 5.00% D	
			R203				RESISTOR,METAL GLAZED(CHIP)	0 OHM 1 / 16 W 1608 5.00% D	
			R204				RESISTOR,METAL GLAZED(CHIP)	0 OHM 1 / 16 W 1608 5.00% D	
			R207				RESISTOR,METAL GLAZED(CHIP)	1M OHM 1 / 16 W 1608 5.00% D	
			R217				RESISTOR,METAL GLAZED(CHIP)	10 OHM 1 / 16 W 1608 5.00% D	
			R218				RESISTOR,METAL GLAZED(CHIP)	470 OHM 1 / 16 W 1608 5.00% D	
			R219				RESISTOR,METAL GLAZED(CHIP)	10K OHM 1 / 16 W 1608 5.00% D	
			R220				RESISTOR,METAL GLAZED(CHIP)	10K OHM 1 / 16 W 1608 5.00% D	
			R221				RESISTOR,METAL GLAZED(CHIP)	10K OHM 1 / 16 W 1608 5.00% D	
			R230				RESISTOR,METAL GLAZED(CHIP)	100 OHM 1 / 16 W 1608 5.00% D	
			R231				RESISTOR,METAL GLAZED(CHIP)	100 OHM 1 / 16 W 1608 5.00% D	
			R232				RESISTOR,METAL GLAZED(CHIP)	100 OHM 1 / 16 W 1608 5.00% D	
			R233				RESISTOR,METAL GLAZED(CHIP)	100 OHM 1 / 16 W 1608 5.00% D	
			R234				RESISTOR,METAL GLAZED(CHIP)	100 OHM 1 / 16 W 1608 5.00% D	
			R235				RESISTOR,METAL GLAZED(CHIP)	100 OHM 1 / 16 W 1608 5.00% D	
			R236				RESISTOR,METAL GLAZED(CHIP)	100 OHM 1 / 16 W 1608 5.00% D	
			R237				RESISTOR,METAL GLAZED(CHIP)	100 OHM 1 / 16 W 1608 5.00% D	
			R239				RESISTOR,METAL GLAZED(CHIP)	0 OHM 1 / 16 W 1608 5.00% D	









S	AL	LOCA.NO	PART NO(LG)	A	B	C	DESCRIPTION	SPECIFICATION	REMARKS
			R606	0	0	0	RESISTOR, FIXED CARBON FILM	1K OHM 1/6 W 5.00% TA26	
			R607	0	0	0	RESISTOR, FIXED CARBON FILM	1K OHM 1/6 W 5.00% TA26	
			R608	0	0	0	RESISTOR, FIXED CARBON FILM	1K OHM 1/6 W 5.00% TA26	
			R609	0	0	0	RESISTOR, FIXED CARBON FILM	1K OHM 1/6 W 5.00% TA26	
			R616	0	0	0	RESISTOR, FIXED CARBON FILM	100 OHM 1/6 W 5.00% TA26	
			R617	0	0	0	RESISTOR, FIXED CARBON FILM	680 OHM 1/6 W 5.00% TA26	
			R618	0	0	0	RESISTOR, FIXED CARBON FILM	100K OHM 1/6 W 5.00% TA26	
			R619	0	0	0	RESISTOR, FIXED CARBON FILM	100K OHM 1/6 W 5.00% TA26	
			R620	0	0	0	RESISTOR, FIXED CARBON FILM	220 OHM 1/6 W 5.00% TA26	
			R621	0	0	0	RESISTOR, FIXED CARBON FILM	220 OHM 1/6 W 5.00% TA26	
			R622	0	0	0	RESISTOR, FIXED CARBON FILM	22 OHM 1/6 W 5.00% TA26	
			R624	0	0	0	RESISTOR, FIXED CARBON FILM	1K OHM 1/6 W 5.00% TA26	
			R628	0	0	0	RESISTOR, FIXED CARBON FILM	47K OHM 1/6 W 5.00% TA26	
			R633	0	0	0	RESISTOR, FIXED CARBON FILM	4.7K OHM 1/6 W 5.00% TA26	
			R638	0	0	0	RESISTOR, FIXED CARBON FILM	1K OHM 1/6 W 5.00% TA26	
			R639	0	0	0	RESISTOR, FIXED CARBON FILM	1K OHM 1/6 W 5.00% TA26	
			R652	0	0	0	RESISTOR, FIXED CARBON FILM	68 OHM 1/6 W 5.00% TA26	
			R653	0	0	0	RESISTOR, FIXED CARBON FILM	1K OHM 1/6 W 5.00% TA26	
			R654	0	0	0	RESISTOR, FIXED CARBON FILM	10K OHM 1/6 W 5.00% TA26	
			R655	0	0	0	RESISTOR, FIXED CARBON FILM	2.2K OHM 1/6 W 5.00% TA26	
			R656	0	0	0	RESISTOR, FIXED CARBON FILM	1K OHM 1/6 W 5.00% TA26	
			R657	0	0	0	RESISTOR, FIXED CARBON FILM	1K OHM 1/6 W 5.00% TA26	
			R660	0	0	0	RESISTOR, FIXED CARBON FILM	680 OHM 1/6 W 5.00% TA26	
			R661	0	0	0	RESISTOR, FIXED CARBON FILM	100 OHM 1/6 W 5.00% TA26	
			R672	0	0	0	RESISTOR, FIXED CARBON FILM	100K OHM 1/6 W 5.00% TA26	
			R673	0	0	0	RESISTOR, FIXED CARBON FILM	100 OHM 1/6 W 5.00% TA26	
			R674	0	0	0	RESISTOR, FIXED CARBON FILM	100K OHM 1/6 W 5.00% TA26	
			R675	0	0	0	RESISTOR, FIXED CARBON FILM	100 OHM 1/6 W 5.00% TA26	
			R676	0	0	0	RESISTOR, FIXED CARBON FILM	75 OHM 1/6 W 5.00% TA26	
			R6M1	0	0	0	RESISTOR, FIXED CARBON FILM	220 OHM 1/6 W 5.00% TA26	
			R6M2	0	0	0	RESISTOR, FIXED CARBON FILM	220 OHM 1/6 W 5.00% TA26	
			R6M3	0	0	0	RESISTOR, FIXED CARBON FILM	100K OHM 1/6 W 5.00% TA26	
			R6M4	0	0	0	RESISTOR, FIXED CARBON FILM	100K OHM 1/6 W 5.00% TA26	
			R903	0	0	0	RESISTOR, FIXED CARBON FILM	680 OHM 1/6 W 5.00% TA26	
			R904	0	0	0	RESISTOR, FIXED CARBON FILM	1.2K OHM 1/6 W 5.00% TA26	
			R905	0	0	0	RESISTOR, FIXED CARBON FILM	1.5K OHM 1/6 W 5.00% TA26	
			R906	0	0	0	RESISTOR, FIXED CARBON FILM	3.3K OHM 1/6 W 5.00% TA26	
			R907	0	0	0	RESISTOR, FIXED CARBON FILM	4.7K OHM 1/6 W 5.00% TA26	
			R908	0	0	0	RESISTOR, FIXED CARBON FILM	8.2K OHM 1/6 W 5.00% TA26	
			R909	0	0	0	RESISTOR, FIXED CARBON FILM	15K OHM 1/6 W 5.00% TA26	
			R912	0	0	0	RESISTOR, FIXED CARBON FILM	820 OHM 1/6 W 5.00% TA26	
			R921	0	0	0	RESISTOR, FIXED CARBON FILM	100 OHM 1/6 W 5.00% TA26	
			R922	0	0	0	RESISTOR, FIXED CARBON FILM	1.5K OHM 1/6 W 5.00% TA26	
			R923	0	0	0	RESISTOR, FIXED CARBON FILM	1.2K OHM 1/6 W 5.00% TA26	
			R924	0	0	0	RESISTOR, FIXED CARBON FILM	820 OHM 1/6 W 5.00% TA26	
			R925	0	0	0	RESISTOR, FIXED CARBON FILM	680 OHM 1/6 W 5.00% TA26	
			R930	0	0	0	RESISTOR, FIXED CARBON FILM	10K OHM 1/6 W 5.00% TA26	
			R931	0	0	0	RESISTOR, FIXED CARBON FILM	10K OHM 1/6 W 5.00% TA26	
			R932	0	0	0	RESISTOR, FIXED CARBON FILM	3.3K OHM 1/6 W 5.00% TA26	
			R933	0	0	0	RESISTOR, FIXED CARBON FILM	330 OHM 1/6 W 5.00% TA26	
			R934	0	0	0	RESISTOR, FIXED CARBON FILM	10K OHM 1/6 W 5.00% TA26	
			R935	0	0	0	RESISTOR, FIXED CARBON FILM	47K OHM 1/6 W 5.00% TA26	
			R936	0	0	0	RESISTOR, FIXED CARBON FILM	1K OHM 1/6 W 5.00% TA26	
			R938	0	0	0	RESISTOR, FIXED CARBON FILM	1K OHM 1/6 W 5.00% TA26	
			R941	0	0	0	RESISTOR, FIXED CARBON FILM	2.2K OHM 1/6 W 5.00% TA26	
			R943	0	0	0	RESISTOR, FIXED CARBON FILM	100 OHM 1/6 W 5.00% TA26	
			R944	0	0	0	RESISTOR, FIXED CARBON FILM	100 OHM 1/6 W 5.00% TA26	
			R951	0	0	0	RESISTOR, FIXED CARBON FILM	100K OHM 1/6 W 5.00% TA26	
			R952	0	0	0	RESISTOR, FIXED CARBON FILM	100K OHM 1/6 W 5.00% TA26	
			R953	0	0	0	RESISTOR, FIXED CARBON FILM	100K OHM 1/6 W 5.00% TA26	
			R954	0	0	0	RESISTOR, FIXED CARBON FILM	100K OHM 1/6 W 5.00% TA26	
			R955	0	0	0	RESISTOR, FIXED CARBON FILM	100K OHM 1/6 W 5.00% TA26	
			R956	0	0	0	RESISTOR, FIXED CARBON FILM	100K OHM 1/6 W 5.00% TA26	
			R957	0	0	0	RESISTOR, FIXED CARBON FILM	100K OHM 1/6 W 5.00% TA26	
			R958	0	0	0	RESISTOR, FIXED CARBON FILM	100K OHM 1/6 W 5.00% TA26	
			R959	0	0	0	RESISTOR, FIXED CARBON FILM	100K OHM 1/6 W 5.00% TA26	
			R960	0	0	0	RESISTOR, FIXED CARBON FILM	100K OHM 1/6 W 5.00% TA26	
			R961	0	0	0	RESISTOR, FIXED CARBON FILM	100K OHM 1/6 W 5.00% TA26	

S	AL	LOCA.NO	PART NO(LG)	A	B	C	DESCRIPTION	SPECIFICATION	REMARKS
		R999	0RD1002F608	0	0	0	RESISTOR, FIXED CARBON FILM	10K OHM 1/6 W 5.00% TA26	
<b>REMOTE CONTROL RECEIVER</b>									
		RC901	6712R1938GA	0	0	0	REMOTE CONTROLLER RECEIVER	TSOP2838WE1 TEMIC 19MM 37.9KHZ	
<b>SWITCH</b>									
		SW601	6600R-SH02A	0	0		SWITCH, SLIDE	SKQ-23D15-G5-NA LUP FUNG NON 3	
		SW602	6600R-SH18A	0	0	0	SWITCH, TACT	CSS-4206 CHANG SHIN NON DC 30V	
		SW901	556-219B	0	0	0	SWITCH, TACT	THVV502GAA POSTECH NON 12V 5A	
		SW902	556-219B	0	0	0	SWITCH, TACT	THVV502GAA POSTECH NON 12V 5A	
		SW903	556-219B	0	0	0	SWITCH, TACT	THVV502GAA POSTECH NON 12V 5A	
		SW904	556-219B	0	0	0	SWITCH, TACT	THVV502GAA POSTECH NON 12V 5A	
		SW905	556-219B	0	0	0	SWITCH, TACT	THVV502GAA POSTECH NON 12V 5A	
		SW906	556-219B	0	0	0	SWITCH, TACT	THVV502GAA POSTECH NON 12V 5A	
		SW907	556-219B	0	0	0	SWITCH, TACT	THVV502GAA POSTECH NON 12V 5A	
		SW908	556-219B	0	0	0	SWITCH, TACT	THVV502GAA POSTECH NON 12V 5A	
		SW910	556-219B	0	0	0	SWITCH, TACT	THVV502GAA POSTECH NON 12V 5A	
		SW911	556-219B	0	0	0	SWITCH, TACT	THVV502GAA POSTECH NON 12V 5A	
		SW912	556-219B	0	0	0	SWITCH, TACT	THVV502GAA POSTECH NON 12V 5A	
		SW913	556-219B	0	0	0	SWITCH, TACT	THVV502GAA POSTECH NON 12V 5A	
		SW914	556-219B	0	0	0	SWITCH, TACT	THVV502GAA POSTECH NON 12V 5A	
		SW915	556-219B	0	0	0	SWITCH, TACT	THVV502GAA POSTECH NON 12V 5A	
		SW916	556-219B	0	0	0	SWITCH, TACT	THVV502GAA POSTECH NON 12V 5A	
<b>TRANSISTOR, RESONATOR, CRYSTAL, X-TAL</b>									
		T101	642-021K			0	TRANSFORMER, SMPS	KSE-021K/LSE-021K KS/LSE NARRO	
		T101	642-023T	0	0		TRANSFORMER, SMPS	SHT-023T/KSE-023T KWANGSUNG/SA	
		V101	656-004C	0	0	0	VARISTOR	SVC681D-10A SAMHWA 4.0 CUT	
		X201	6202R-BM04C	0	0	0	CRYSTAL, STANDARD	HC-49/S BUBANG AXIAL 33.8688MH	
		X3K1	6202R-BL06C	0	0	0	CRYSTAL, STANDARD	HC-49/S BUBANG AXIAL 27MHZ 20P	
		X501	6212R-L002A	0	0	0	RESONATOR	CSTCW20M0X53-R0 CSTCW20M0X53-R	
		X901	6212R-J003A	0	0	0	RESONATOR	CSTLS5M00G53-A0 CSTLS5M00G53-A	
<b>ZENER DIODE</b>									
		ZD101	0DZ332609FA	0	0	0	DIODE, ZENER	UZ-3.3BSB 26MM TP PYUNG CHANG	
		ZD102	0DZ620009BC			0	DIODE, ZENER	MTZJ6.2B TP ROHM-K DO34 0.5W 5	
		ZD605	0DZ562609AA	0	0	0	DIODE, ZENER	GDZJ5.6B 26MM TP GRANDE DO34	
		ZD606	0DZ562609AA	0	0	0	DIODE, ZENER	GDZJ5.6B 26MM TP GRANDE DO34	
		ZD611	0DZ562609AA	0	0	0	DIODE, ZENER	GDZJ5.6B 26MM TP GRANDE DO34	
		ZD635	0DZ562609AA	0	0	0	DIODE, ZENER	GDZJ5.6B 26MM TP GRANDE DO34	
		ZD637	0DZ562609AA	0	0	0	DIODE, ZENER	GDZJ5.6B 26MM TP GRANDE DO34	
		ZD638	0DZ562609AA	0	0	0	DIODE, ZENER	GDZJ5.6B 26MM TP GRANDE DO34	
		ZD641	0DZ562609AA	0	0	0	DIODE, ZENER	GDZJ5.6B 26MM TP GRANDE DO34	
		ZD643	0DZ562609AA	0	0	0	DIODE, ZENER	GDZJ5.6B 26MM TP GRANDE DO34	



# SERVICE MANUAL

SERVICE MANUAL

MODELS : T531B/T531C/T531AH

# SERVICE MANUAL

**T531B  
T531C  
T531AH**

**DVD VIDEO PLAYER**

**DVD VIDEO PLAYER**

**T531B/T531C  
T531AH**



**T531B/T531C  
T531AH**

**DVD VIDEO PLAYER**

© NAD 2001

**NAD ELECTRONICS INTERNATIONAL  
TORONTO**